

HERMETIC CONNECTOR





Shenzhen Anknor Technology Co., Ltd. (ANKNOR) is a wholly-owned subsidiary of MOFLON, a global manufacturer of high-end precision rotary connectors. ANKNOR focuses on the research, development, production, and sales of high-precision connector products, committed to providing customized and highly reliable connection solutions for global customers.

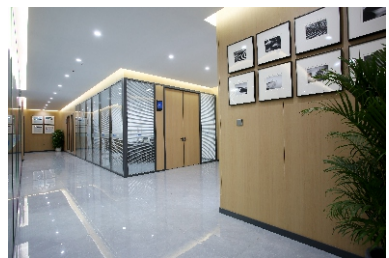
MOFLON, with its factory located in Shajing, Shenzhen, employs over 500 people and has an annual sales revenue exceeding 300 million RMB. With a 20,000 square meter high-tech factory, MOFLON is dedicated to high-end manufacturing, driving industry development with high-quality products. Its products are widely exported to developed countries in Europe, America, and Japan, and have entered the European and American aerospace and military industries. MOFLON has established long-term and friendly cooperative relationships with many internationally renowned brands. Over 60% of its products are customized, widely used in robotics, CCTV camera systems, packaging machinery, medical instruments, and automation systems. The company has also obtained ISO 9001, UL, CE, and other relevant certifications.

Leveraging the strong resources of its parent company, ANKNOR can undertake highly demanding and complex special customization needs, continuing the parent company's advantage of over 60% customized product sales. Its products include standard and customized high-precision conductive slip rings and standard and customized industrial connectors, possessing characteristics such as high precision, high stability, and strong adaptability, with performance comparable to international advanced levels.

ANKNOR's products are applied in various high-end fields, including aerospace, marine, military, robotics, automotive, medical instruments, intelligent manufacturing, automation systems, weaponry, railways, oil exploration, wind power generation, and agricultural informatization.

In the future, ANKNOR will use its parent company's technological expertise as a solid foundation, with innovation as its core driving force, to build a benchmark brand in its niche market, creating more valuable connection solutions for global customers and jointly exploring new opportunities in the industry

Office environment



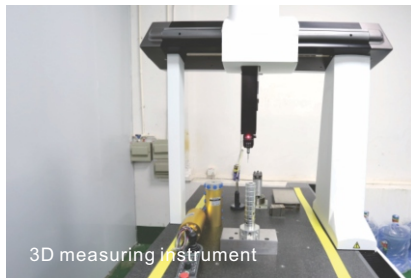
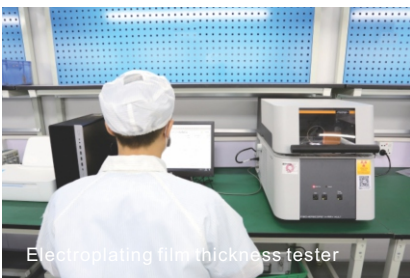
PRECISE

Precise Production Control, High Quality and Efficiency



QUALITY

Rigorous testing ensures product quality





HONOR

Honors and Qualifications



CONTENT

| | |
|--|----|
| GJB599 Series Hermetic Sealing Electrical Connectors..... | 07 |
| J20JM1 Series Glass-Sintered Hermetic Electrical Connectors..... | 17 |
| J29M1 Series Glass-Sintered Hermetic Electrical Connectors..... | 25 |
| J30JB Series Micro-Rectangular Electrical Connectors..... | 29 |
| J30JM1 Series Glass-Sintered Hermetic Sealing Connectors..... | 39 |
| J63A Series Glass-Sintered Hermetic Sealing Electrical Connectors..... | 62 |
| JXBM10 Series Micro-Rectangular Electrical Connectors..... | 72 |

GJB599 Series Hermetic Sealing Electrical Connectors



The pictures are for reference only

GJB599 Series Hermetic Sealing Electrical Connectors

GJB599 Series Hermetic Sealing Electrical Connectors

Product Introduction

This product is designed and developed in accordance with GJB599B (MIL-DTL-38999L) and relevant U.S. military standards. It mainly includes two categories: "Sealed Electrical Connectors" and "Through - Wall Sealed Electrical Connectors". By welding the contact pins to the socket housing or the transition socket housing, the electrical connector achieves excellent airtight performance, while the mating plugs can still adopt ordinary non - sealed plug heads.

- Purpose: The product is used for circuit signal connection
- Operating environment: The product is applied in complex environments such as strong vibration, heavy rain, sandstorms, and high humidity.

Key Technical Skills

•Mechanical Performance

Materials:

Shell: Stainless steel, Kovar alloy

Insulator (when installed): Fused glass material

Sealing line and sealing ring: Silicone rubber

Plating:

I, II series: E class (stainless steel passivation); N class (electroplated nickel)

III series: Y class (stainless steel passivation); N class (electroplated nickel)

Contact Component Material:

Ron-nickel-cobalt encapsulated alloy, nickel base alloy, tail welding

Mechanical Life

500 insertion/extraction cycles

Impact

3ms half-sine wave, peak acceleration 300g

Vibration

I, III series:

Sinusoidal vibration: Frequency 100~2000Hz, acceleration 294m/s²

Random vibration: Frequency 100~1000Hz, power spectral density 1g²/Hz

II series:

Random vibration, frequency 100~1000Hz, power spectral density 0.4g²/Hz

Environmental Temperature Frequency 100~1000Hz, power spectral density 5g²/Hz, corresponding root mean square 49.5g

•Electrical Performance

Withstand Voltage (V)

| Work Grade* | M | N | I | II |
|-------------|------|------|------|------|
| Sea Level | 1300 | 1000 | 1800 | 2300 |
| 21000m | 800 | 600 | 1000 | 1000 |

Note: Different contact arrangements correspond to different working classes. Please refer to the superscript in the top right corner of the contact arrangement for details.

Contact Resistance & Rated Current of Contact Components

| Contact pin specifications | Working diameter (mm) | Contact Resistance (mΩ) | Rated Current (A) |
|----------------------------|-----------------------|-------------------------|-------------------|
| 22D | Φ0.76 | ≤28 | 5 |
| 20# | Φ1.00 | ≤12 | 7.5 |
| 16# | Φ1.60 | ≤8.5 | 13 |
| 12# | Φ2.40 | ≤5.0 | 23 |

Electromagnetic Interference Shielding 100MHz~1GHz: Minimum attenuation 85dB 1GHz~10GHz: Minimum attenuation 50dB

•Environmental Performance

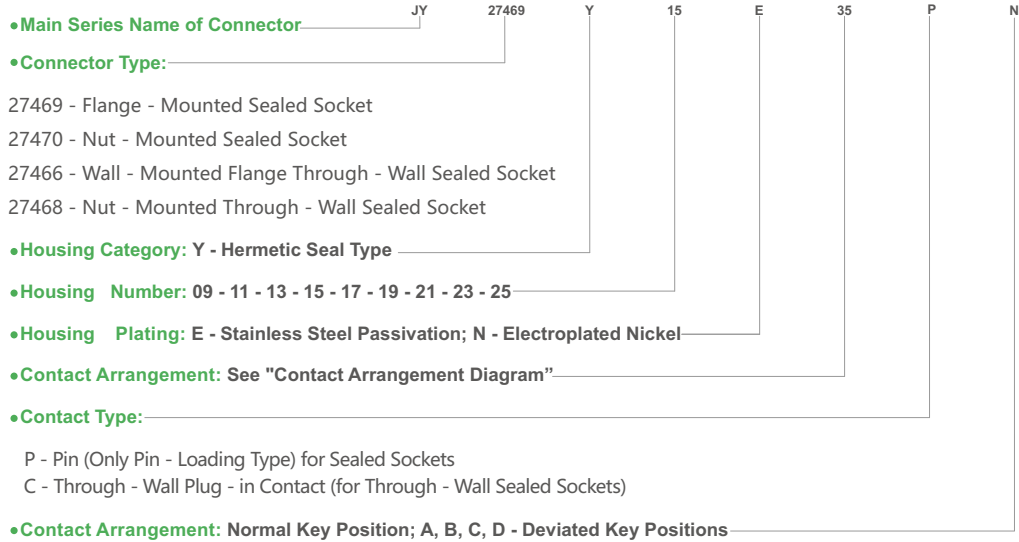
Temperature Range: -65°C~+200°C

Airtightness: When the pressure difference between the two ends of the sealed socket is 1 atmosphere, the air leakage rate ≤1×10⁻³Pa·cm³/s

GJB599 Series Hermetic Sealing Electrical Connectors

Model Naming

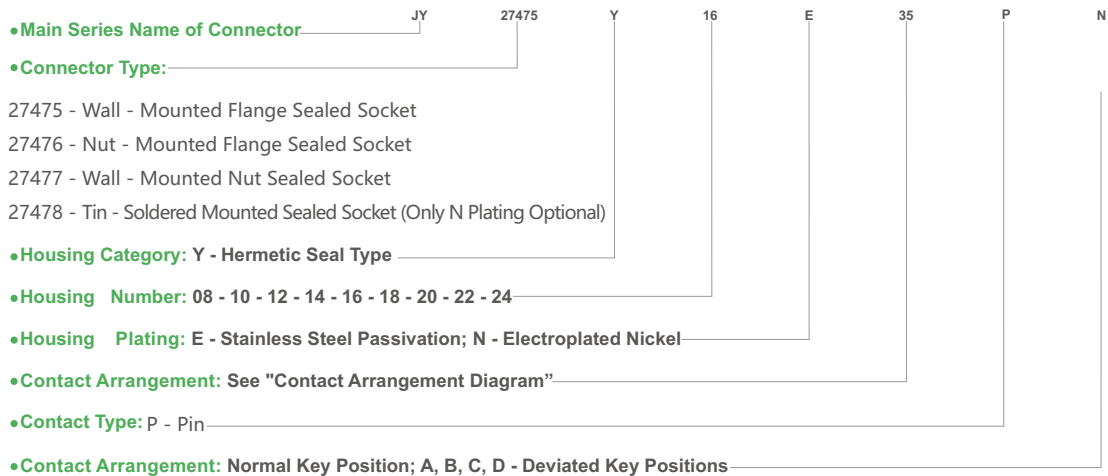
J599I Series



Note:

1. In the model naming of the national military standard GJB599 and the US military standard MIL-DTL-38999, except for the main designation, the rest are completely the same. The main designation of GJB599 is "JY", and the main designation of MIL-DTL-38999 is "MS".They are interchangeable.
2. In the model naming of the national military standard GJB599 and the US military standard MIL-DTL-38999, except for the main designation, the rest are completely the same. The main designation of GJB599 is "JY", and the main designation of MIL-DTL-38999 is "MS".They are interchangeable.

J599 II Series

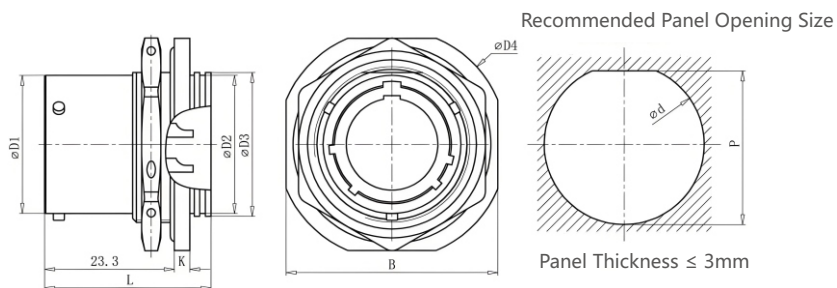


Note:

The national military standard GJB599 and the US military standard MIL-DTL-38999 are identical in model naming except for the main designation. The main designation of GJB599 is "JY", and that of MIL-DTL-38999 is "MS". They are interchangeable.

GJB599 Series Hermetic Sealing Electrical Connectors

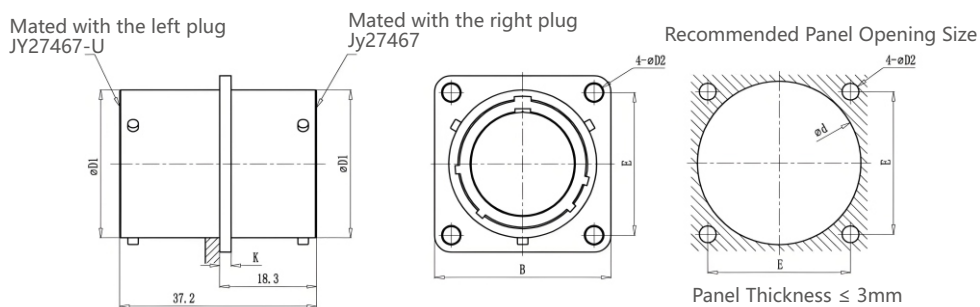
JY27470 Nut - Mounted Sealed Socket



| Housing Number | D1 | D2 | D3 | D4 | L | K | B | d | P |
|----------------|-------|-------|-------|-------|------|-----|-------|------|------|
| 09 | 14.53 | 15.29 | 16.31 | 30.18 | 29.9 | 2.8 | 26.97 | 17.7 | 17.0 |
| 11 | 17.78 | 18.44 | 19.46 | 34.93 | 29.9 | 2.8 | 31.75 | 21.0 | 19.6 |
| 13 | 21.59 | 21.64 | 22.66 | 38.10 | 29.9 | 2.8 | 34.93 | 25.6 | 24.3 |
| 15 | 24.77 | 24.84 | 25.86 | 41.28 | 29.9 | 2.8 | 38.10 | 28.8 | 27.6 |
| 17 | 27.94 | 27.99 | 29.01 | 44.45 | 29.9 | 2.8 | 41.28 | 32.0 | 30.7 |
| 19 | 30.66 | 31.19 | 32.21 | 49.23 | 30.7 | 3.6 | 46.02 | 35.2 | 33.9 |
| 21 | 30.83 | 34.34 | 35.36 | 52.37 | 30.7 | 3.6 | 49.23 | 38.3 | 37.1 |
| 22 | 37.01 | 37.54 | 35.86 | 55.58 | 30.7 | 3.6 | 52.37 | 41.5 | 40.0 |
| 23 | 40.18 | 40.69 | 41.71 | 58.72 | 30.7 | 3.6 | 55.58 | 44.7 | 43.4 |

GJB599 Series I Through - Wall Sealed Socket

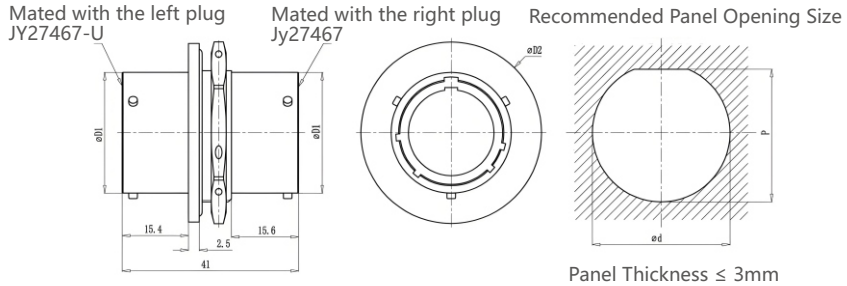
JY27466 Wall - Mounted Flange Through - Wall Sealed Socket



| Housing Number | D1 | D2 | L | K | B | d |
|----------------|-------|-----|------|------|-------|------|
| 29.9 | 14.53 | 3.2 | 2.16 | 23.8 | 18.26 | 16.7 |
| 29.9 | 17.78 | 3.2 | 2.16 | 26.2 | 20.62 | 20.2 |
| 29.9 | 21.59 | 3.2 | 2.16 | 28.6 | 23.02 | 24.5 |
| 29.9 | 24.77 | 3.2 | 2.16 | 31.0 | 24.62 | 27.7 |
| 29.9 | 27.94 | 3.2 | 2.16 | 33.3 | 26.98 | 30.9 |
| 30.7 | 30.66 | 3.2 | 2.16 | 36.5 | 29.36 | 32.9 |
| 30.7 | 33.83 | 3.2 | 2.92 | 39.7 | 31.76 | 36.2 |
| 30.7 | 37.01 | 3.7 | 2.92 | 42.9 | 34.92 | 39.3 |
| 30.7 | 40.18 | 3.7 | 2.92 | 46.0 | 38.10 | 42.5 |

GJB599 Series Hermetic Sealing Electrical Connectors

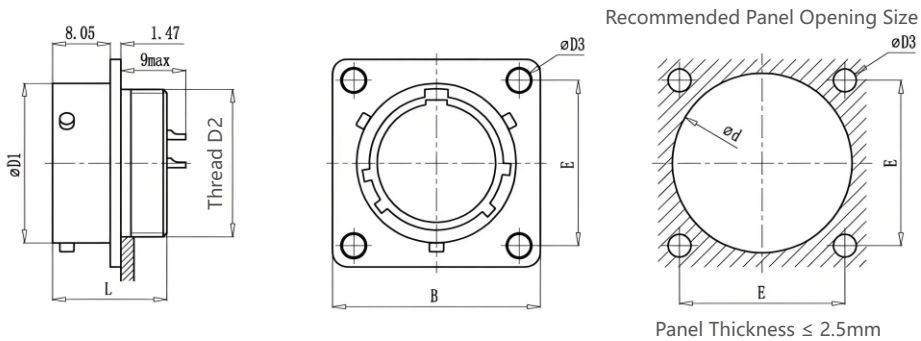
JY27468 Nut - Mounted Through - Wall Sealed Socket



| Housing Number | D1 | D2 | d | P |
|----------------|-------|-------|------|------|
| 09 | 14.53 | 26.97 | 17.7 | 17.0 |
| 11 | 17.78 | 29.53 | 21.0 | 19.6 |
| 13 | 21.59 | 34.92 | 25.6 | 24.3 |
| 15 | 24.77 | 38.50 | 28.8 | 27.6 |
| 17 | 27.94 | 42.00 | 32.0 | 30.7 |
| 19 | 30.66 | 46.02 | 35.2 | 33.9 |
| 21 | 33.83 | 49.60 | 38.3 | 37.1 |
| 23 | 37.01 | 53.16 | 41.5 | 40.0 |
| 25 | 40.18 | 59.82 | 44.7 | 43.4 |

GJB599-II Series Sealed Socket

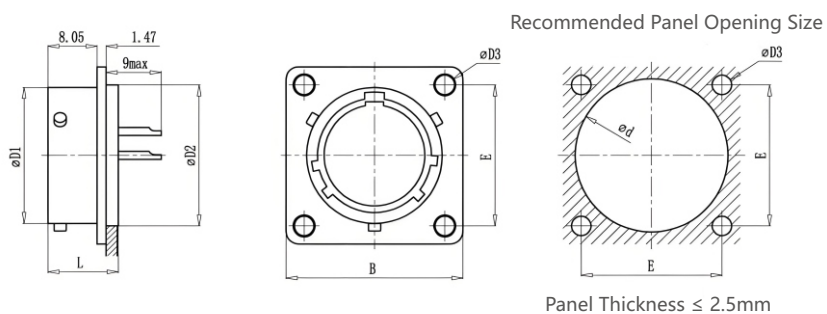
JY27475 Wall-Mounted Sealed Socket



| Housing Number | D1 | Thread D2 | L | D3 | B | E | D |
|----------------|-------|----------------|------|-----|------|-------|------|
| 08 | 12.00 | 0.5625-24UNE | 15.9 | 3.2 | 21.0 | 15.09 | 15.5 |
| 10 | 15.00 | F0.6875-24UNEF | 15.9 | 3.2 | 24.1 | 18.26 | 19.5 |
| 12 | 19.05 | 0.8125-20UNEF | 15.9 | 3.2 | 26.5 | 20.62 | 21.5 |
| 14 | 22.23 | 0.9375-20UNEF | 15.9 | 3.2 | 28.9 | 23.01 | 25.0 |
| 16 | 25.40 | 1.0625-18UNEF | 15.9 | 3.2 | 31.2 | 24.61 | 28.0 |
| 18 | 28.58 | 1.1875-18UNEF | 15.9 | 3.2 | 33.6 | 26.97 | 31.5 |
| 20 | 31.75 | 1.3125-18UNEF | 15.9 | 3.2 | 36.8 | 29.36 | 34.5 |
| 22 | 34.93 | 1.4375-18UNEF | 19.1 | 3.2 | 40.0 | 31.75 | 37.5 |
| 24 | 38.10 | 1.5625-18UNEF | 19.1 | 4.0 | 43.1 | 34.93 | 40.7 |

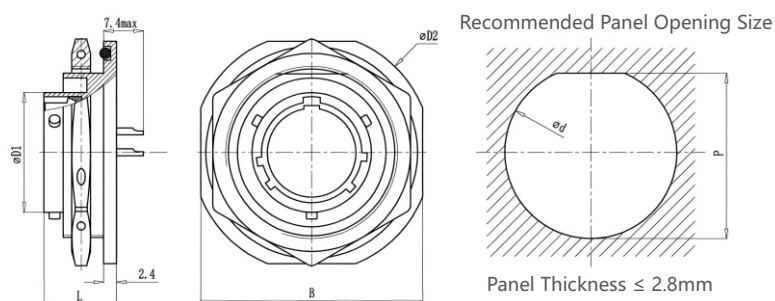
GJB599 Series Hermetic Sealing Electrical Connectors

JY27476 Box-Mounted Sealed Socket



| Housing Number | D1 | D2 | L | D3 | B | E | D |
|----------------|-------|-------|------|-----|------|-------|------|
| 08 | 12.00 | 14.27 | 15.9 | 3.2 | 21.0 | 15.09 | 15.3 |
| 10 | 15.00 | 17.07 | 15.9 | 3.2 | 24.1 | 18.26 | 18.1 |
| 12 | 19.05 | 19.84 | 15.9 | 3.2 | 26.5 | 20.62 | 20.8 |
| 14 | 22.23 | 23.01 | 15.9 | 3.2 | 28.9 | 23.01 | 24.0 |
| 16 | 25.40 | 26.19 | 15.9 | 3.2 | 31.2 | 24.61 | 27.2 |
| 18 | 28.58 | 29.36 | 15.9 | 3.2 | 33.6 | 26.97 | 30.4 |
| 20 | 31.75 | 31.75 | 15.9 | 3.2 | 36.8 | 29.36 | 32.8 |
| 22 | 34.93 | 34.93 | 19.1 | 3.2 | 40.0 | 31.75 | 35.9 |
| 24 | 38.10 | 38.10 | 19.1 | 4.0 | 43.1 | 34.93 | 39.1 |

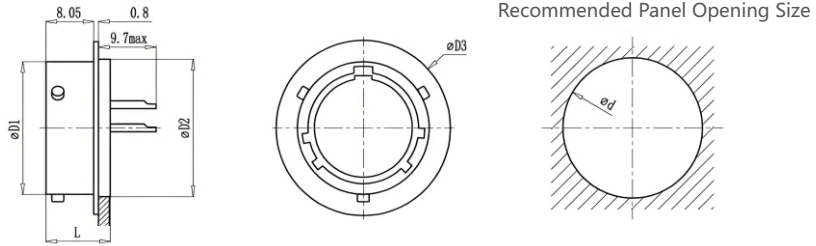
JY27477 Nut-Mounted Sealed Socket



| Housing Number | D1 | D2 | L | B | d | P |
|----------------|-------|-------|------|-------|------|------|
| 08 | 12.00 | 34.95 | 13.5 | 31.75 | 22.5 | 21.1 |
| 10 | 15.00 | 38.10 | 13.5 | 34.95 | 25.6 | 24.3 |
| 12 | 19.05 | 41.28 | 13.5 | 38.10 | 28.8 | 27.5 |
| 14 | 22.23 | 44.45 | 13.5 | 41.28 | 32.0 | 30.7 |
| 16 | 25.40 | 49.23 | 13.5 | 45.24 | 35.2 | 33.9 |
| 18 | 28.58 | 51.21 | 13.5 | 48.00 | 38.3 | 37.1 |
| 20 | 31.75 | 54.38 | 14.2 | 51.21 | 41.5 | 40.0 |
| 22 | 34.93 | 57.53 | 14.2 | 54.36 | 44.7 | 43.2 |
| 24 | 38.10 | 60.71 | 14.2 | 57.53 | 47.9 | 46.4 |

GJB599 Series Hermetic Sealing Electrical Connectors

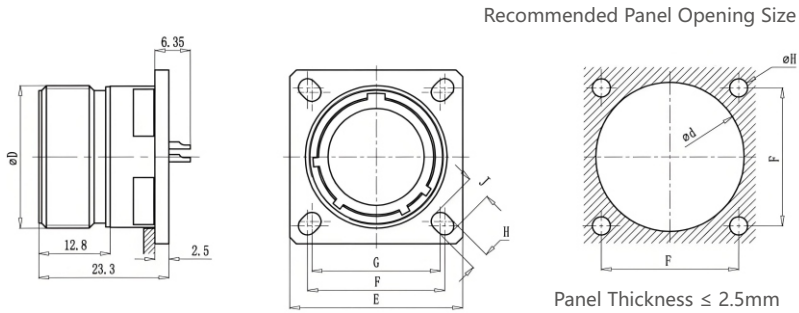
JY27478 Soldering-Mounted Sealed Socket



| Housing Number | D1 | D2 | D3 | L | d |
|----------------|-------|-------|-------|------|------|
| 08 | 12.00 | 14.27 | 17.45 | 12.0 | 14.8 |
| 10 | 15.00 | 17.07 | 20.45 | 12.0 | 17.6 |
| 12 | 19.05 | 19.84 | 23.01 | 12.0 | 20.3 |
| 14 | 22.23 | 23.01 | 26.19 | 12.0 | 23.5 |
| 16 | 25.40 | 26.19 | 29.36 | 12.0 | 26.7 |
| 18 | 28.58 | 29.36 | 32.54 | 12.0 | 29.9 |
| 20 | 31.75 | 31.75 | 34.93 | 12.0 | 32.3 |
| 22 | 34.93 | 34.93 | 38.10 | 12.8 | 35.4 |
| 24 | 38.10 | 38.10 | 41.28 | 12.8 | 38.6 |

GJB599-III Series Sealed Socket

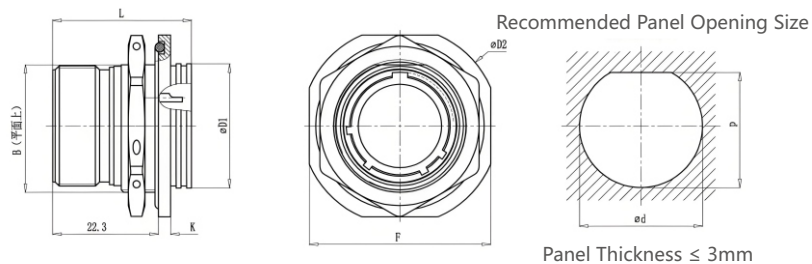
J599/21 Flange-Mounted Sealed Socket



| Housing Number | Housing Number MS | D | E | F | G | H | J | d |
|----------------|-------------------|-------|------|-------|-------|------|------|-------|
| 9 | A | 15.88 | 23.8 | 18.26 | 15.09 | 3.25 | 5.49 | 16.66 |
| 11 | B | 19.05 | 26.2 | 20.62 | 18.26 | 3.25 | 4.93 | 20.22 |
| 13 | C | 22.23 | 28.6 | 23.01 | 20.62 | 3.25 | 4.93 | 23.42 |
| 15 | D | 25.40 | 31.0 | 24.61 | 23.01 | 3.25 | 4.39 | 26.59 |
| 17 | E | 30.16 | 33.3 | 26.97 | 24.61 | 3.25 | 4.93 | 30.96 |
| 19 | F | 31.80 | 36.5 | 29.36 | 26.97 | 3.25 | 4.93 | 32.94 |
| 21 | G | 34.73 | 39.7 | 31.75 | 29.36 | 3.25 | 4.93 | 36.12 |
| 23 | H | 38.10 | 42.9 | 34.93 | 31.75 | 3.91 | 6.15 | 39.29 |
| 25 | J | 41.20 | 46.0 | 38.10 | 34.93 | 3.91 | 6.15 | 42.47 |

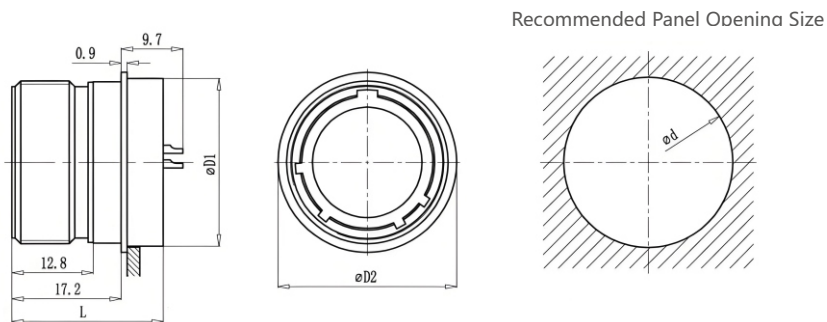
GJB599 Series Hermetic Sealing Electrical Connectors

J599/23 Nut-Mounted Sealed Socket



| Housing Number | Housing Number MS | D1 | D2 | F | B | L | K | d | P |
|----------------|-------------------|------|------|------|------|------|-----|-------|------|
| 9 | A | 16.6 | 30.5 | 27.0 | 16.5 | 29.2 | 2.6 | 17.70 | 17.0 |
| 11 | B | 19.7 | 35.2 | 31.8 | 19.3 | 29.2 | 2.6 | 20.88 | 19.6 |
| 13 | C | 23.0 | 38.4 | 34.9 | 24.0 | 29.2 | 2.6 | 25.58 | 24.3 |
| 15 | D | 26.2 | 41.6 | 38.1 | 27.2 | 29.2 | 2.6 | 28.80 | 27.5 |
| 17 | E | 29.3 | 44.8 | 41.3 | 30.4 | 29.2 | 2.6 | 31.98 | 30.7 |
| 19 | F | 32.5 | 49.3 | 46.0 | 33.4 | 30.1 | 3.4 | 35.15 | 33.9 |
| 21 | G | 35.7 | 52.7 | 49.2 | 36.5 | 30.1 | 3.4 | 38.28 | 37.1 |
| 23 | H | 38.9 | 55.9 | 52.4 | 39.7 | 30.1 | 3.4 | 41.50 | 40.2 |
| 25 | J | 42.0 | 59.0 | 55.6 | 42.8 | 30.1 | 3.4 | 44.68 | 43.4 |

J599/25 Soldering Mounted Sealed Socket

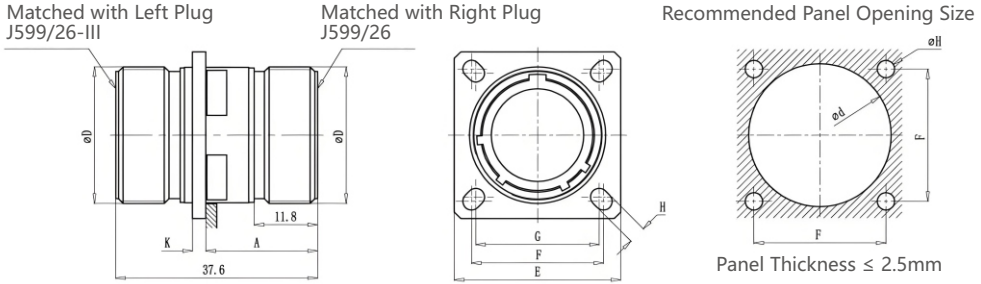


| Housing Number | Housing Number MS | D1 | D2 | L | d |
|----------------|-------------------|------|------|------|------|
| 9 | A | 17.1 | 19.4 | 23.8 | 17.6 |
| 11 | B | 19.9 | 21.8 | 23.8 | 20.4 |
| 13 | C | 23.1 | 24.9 | 23.8 | 23.6 |
| 15 | D | 26.2 | 28.1 | 23.8 | 26.7 |
| 17 | E | 29.4 | 31.3 | 23.8 | 29.9 |
| 19 | F | 31.8 | 33.6 | 23.8 | 32.3 |
| 21 | G | 35.0 | 36.8 | 23.8 | 35.5 |
| 23 | H | 38.2 | 40.0 | 24.6 | 38.7 |
| 25 | J | 41.3 | 43.2 | 24.6 | 41.8 |

GJB599 Series Hermetic Sealing Electrical Connectors

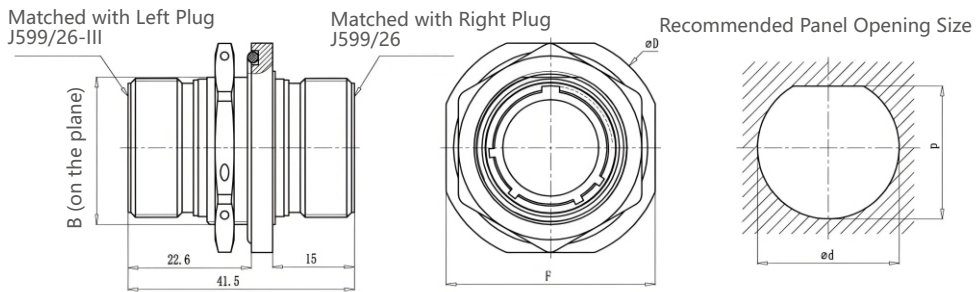
GJB599-III Series Wall-Penetrating Sealed Socket

J599/23 Nut-Mounted Sealed Socket



| Housing Number | Housing Number MS | D | A | k | E | F | G | H | D |
|----------------|-------------------|-------|------|-----|------|-------|-------|------|-------|
| 9 | A | 15.88 | 19.5 | 2.1 | 23.8 | 18.26 | 15.09 | 3.25 | 16.66 |
| 11 | B | 19.05 | 19.5 | 2.1 | 26.2 | 20.62 | 18.26 | 3.25 | 20.22 |
| 13 | C | 22.23 | 19.5 | 2.1 | 28.6 | 23.01 | 20.62 | 3.25 | 23.42 |
| 15 | D | 25.40 | 19.5 | 2.1 | 31.0 | 24.61 | 23.01 | 3.25 | 26.59 |
| 17 | E | 30.16 | 19.5 | 2.1 | 33.3 | 26.97 | 24.61 | 3.25 | 30.96 |
| 19 | F | 31.80 | 19.5 | 2.1 | 36.5 | 29.36 | 26.97 | 3.25 | 32.94 |
| 21 | G | 34.73 | 18.7 | 2.8 | 39.7 | 31.75 | 29.36 | 3.25 | 36.12 |
| 23 | H | 38.10 | 18.7 | 2.8 | 42.9 | 34.93 | 31.75 | 3.91 | 39.29 |
| 25 | J | 41.20 | 18.7 | 2.8 | 46.0 | 38.10 | 34.93 | 3.91 | 42.47 |

J599/24 Nut-Mounted Wall-Penetrating Sealed Socket

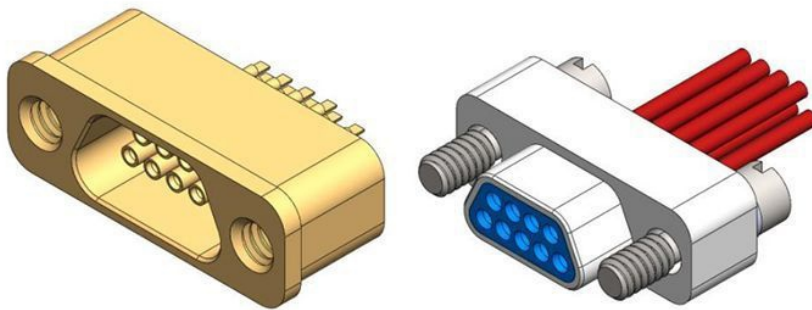


| Housing Number | Housing Number MS | D | F | B | d | P |
|----------------|-------------------|------|------|------|-------|------|
| 9 | A | 30.5 | 27.0 | 16.5 | 17.70 | 17.0 |
| 11 | B | 35.2 | 31.8 | 19.3 | 20.88 | 19.6 |
| 13 | C | 38.4 | 34.9 | 24.0 | 25.58 | 24.3 |
| 15 | D | 41.6 | 38.1 | 27.2 | 28.80 | 27.5 |
| 17 | E | 44.8 | 41.3 | 30.4 | 31.98 | 30.7 |
| 19 | F | 49.3 | 46.0 | 33.4 | 35.15 | 33.9 |
| 21 | G | 52.7 | 49.2 | 36.5 | 38.28 | 37.1 |
| 23 | H | 55.9 | 52.4 | 39.7 | 41.50 | 40.2 |
| 25 | J | 59.0 | 55.6 | 42.8 | 44.68 | 43.4 |



图片仅供参考

J20JM1 Series Glass Sintered Hermetic Electrical Connector



The pictures are for reference only

J20JM1 Series Glass Sintered Hermetic Electrical Connector

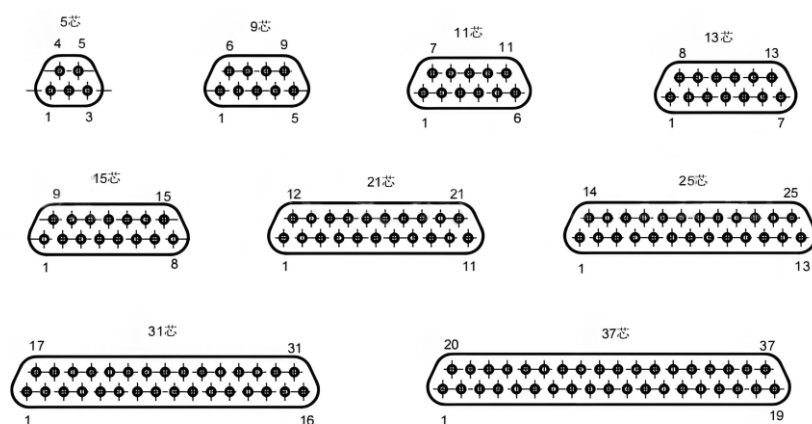
Product Features

- The product socket is a hermetic socket, with glass as the dielectric material, a contact pitch of 0.95mm, a row pitch of 1.01mm, and the entire socket is gold-plated.
- Number of cores: There are nine specifications of 5, 9, 11, 13, 15, 21, 25, 31, and 37 cores.
- The matching plug adopts stranded elastic pins (twist pins), which are soft for insertion and extraction.
- The cross-sectional area of the wire core of the plug part is 0.07mm².
- The product socket has excellent hermeticity, and the air leakage rate index is not greater than $1.0 \times 10^{-3} \text{Pa} \cdot \text{cm}^3/\text{s}$.
- The product has high density, small volume (slightly larger than the J63 series), light weight, and high reliability.
- The tail end of the connector contact is bonded with gold wire.
- Execution standard: Q/HLJ-037-2024 "Enterprise Standard for J20JM1 Series Glass Sintered Hermetic Electrical Connector".

Technical Characteristics

- Ambient temperature: $-55^{\circ}\text{C} \sim 125^{\circ}\text{C}$
- Leakage rate: $\leq 1.01 \times 10^{-3} \text{Pa} \cdot \text{cm}^3/\text{s}$ (socket only, helium mass spectrometry leak detection)
- Vibration: 10~2000Hz 196m/s²
- Random vibration: Power spectral density 0.4G²/Hz, total acceleration root mean square value 23.1G
- Shock: 980m/s² 6ms
- Rated current: 2A
- Contact resistance: $\leq 15\text{m}\Omega$
- Insulation resistance: $\geq 5000\text{M}\Omega$ 300V DC
- Dielectric withstand voltage: 500V
- Mechanical life: 500 times

Type Spectrum Arrangement



From the perspective of socket mating

J20JM1 Series Glass Sintered Hermetic Electrical Connector

Ordering Mark

J20J - X n TJ/ZK X X X
 ① ② ③ ④ ⑤ ⑥ ⑦

1 Main Name Code: J20J

2 Connector Type:

- B—Wired plug matched with glass sintering
- M1—Integral glass sintering

3 Number of Contacts: 5, 9, 11, 13, 15, 21, 25, 31, 37

4 Connector and Contact Type:

- TJ—Plug with pins;
- ZK—Socket with sockets (TJ/ZK is a fixed match)

5 Tail Form:

- Not indicated—Crimp;
- S—Weld

6 Shell Plating:

- A—Whole gold plating;
- N—Nickel plating

7 Product Shell Type:

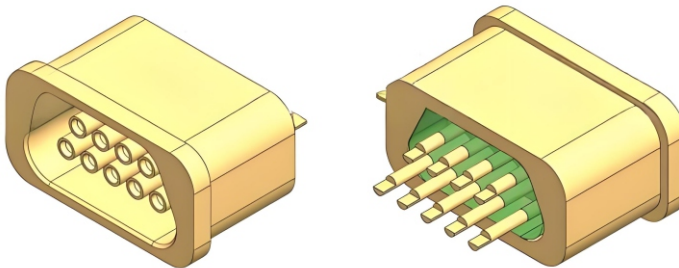
- 0—Shell without locking threaded hole;
- 1—Shell with locking threaded hole;
- 2—Shell with threaded hole and locking screw

Marking Example

J20JM1 - 9ZKS - A1

The above marking indicates a socket with 9 contacts, socket contacts, welded tail, whole gold plating, and a shell with locking threaded holes.

Product Stereogram

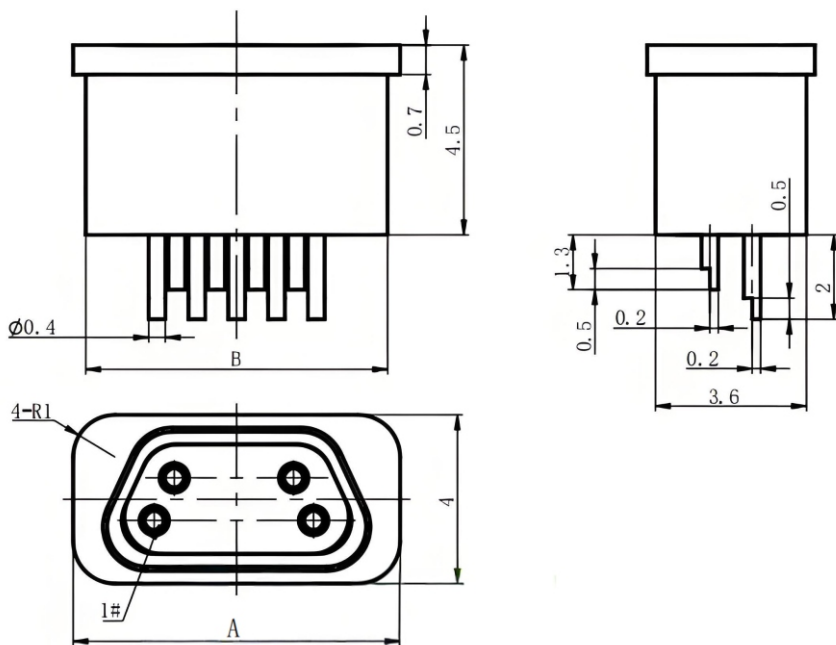


J20JM1 Series Glass Sintered Hermetic Electrical Connector

Product Model

Socket: J20JM1-nZKS-A0 (n = 5, 9, 11, 13, 15, 21, 25, 31, 37)

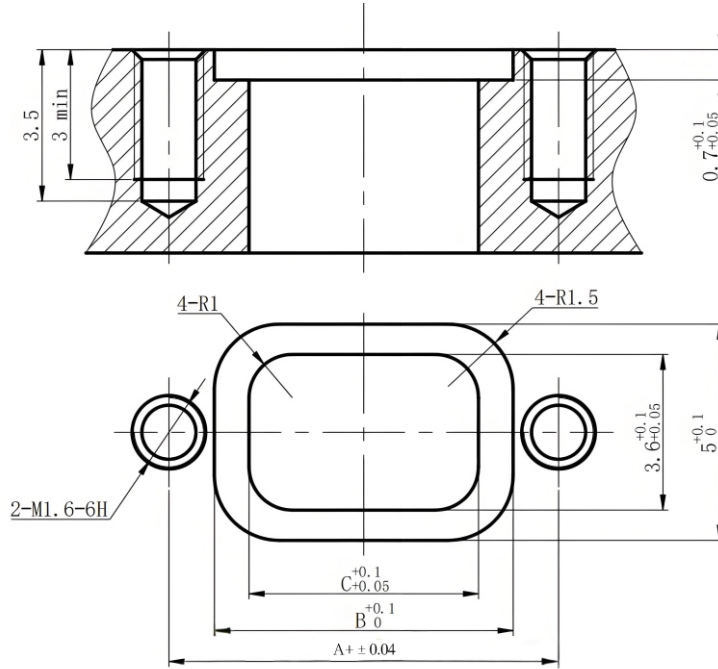
Product Model



| Product Model (n) | A | B |
|-------------------|-------|-------|
| J20M1-5ZKS-A0 | 5.9 | 5.3 |
| J20M1-9ZKS-A0 | 7.8 | 7.2 |
| J20M1-11ZKS-A0 | 8.75 | 8.15 |
| J20M1-13ZKS-A0 | 9.7 | 9.1 |
| J20M1-15ZKS-A0 | 10.65 | 10.05 |
| J20M1-21ZKS-A0 | 13.5 | 12.9 |
| J20M1-25ZKS-A0 | 15.4 | 14.8 |
| J20M1-31ZKS-A0 | 18.25 | 17.65 |
| J20M1-37ZKS-A0 | 21.1 | 20.5 |

J20JM1 Series Glass Sintered Hermetic Electrical Connector

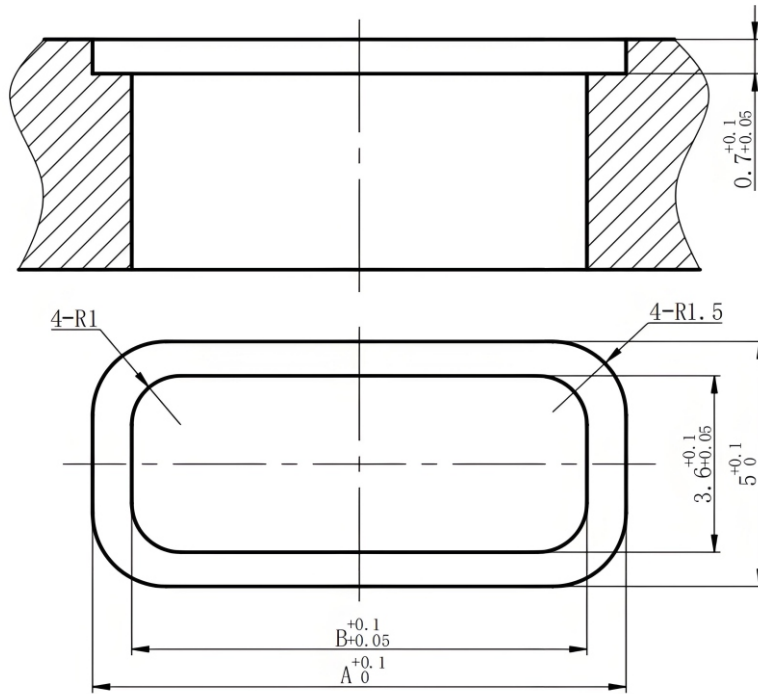
Recommended Installation Hole Dimensions



| Product Model (n) | A | B | B |
|-------------------|-------|-------|-------|
| J20M1-5ZKS-A0 | 7.1 | 6.9 | 5.3 |
| J20M1-9ZKS-A0 | 9 | 8.8 | 7.2 |
| J20M1-11ZKS-A0 | 9.95 | 9.75 | 8.15 |
| J20M1-13ZKS-A0 | 10.9 | 10.7 | 9.1 |
| J20M1-15ZKS-A0 | 11.85 | 11.65 | 10.05 |
| J20M1-21ZKS-A0 | 14.7 | 14.5 | 12.9 |
| J20M1-25ZKS-A0 | 16.6 | 16.4 | 14.8 |
| J20M1-31ZKS-A0 | 19.45 | 14.25 | 12.65 |
| J20M1-37ZKS-A0 | 22.3 | 22.1 | 20.5 |

J29M1 Series Glass Sintered Sealed Electrical Connector

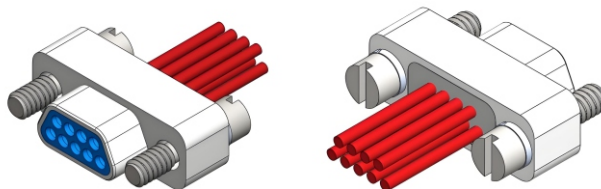
Recommended Installation Hole Dimensions



| Product Model (n) | A | B |
|-------------------|-------|-------|
| J20JM1-5ZKS-A1 | 10.9 | 9.4 |
| J20JM1-9ZKS-A1 | 12.8 | 11.3 |
| J20JM1-11ZKS-A1 | 13.75 | 12.25 |
| J20JM1-13ZKS-A1 | 14.7 | 13.2 |
| J20JM1-15ZKS-A1 | 15.65 | 14.15 |
| J20JM1-21ZKS-A1 | 18.5 | 17 |
| J20JM1-25ZKS-A1 | 20.4 | 18.9 |
| J20JM1-31ZKS-A1 | 23.25 | 21.75 |
| J20JM1-37ZKS-A1 | 26.1 | 24.6 |

J29M1 Series Glass Sintered Sealed Electrical Connector

Product Stereogram



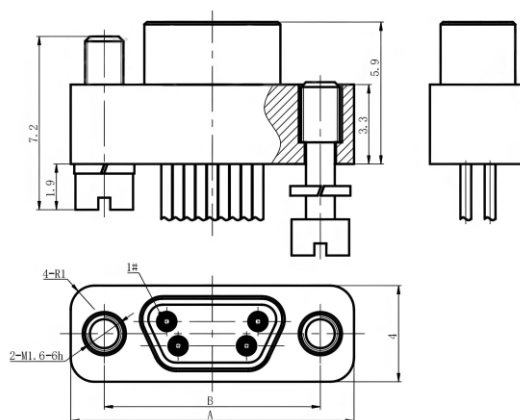
Product Model

Plug: J20JB-nTJ-N2 (n = 5, 9, 11, 13, 15, 21, 25, 31, 37)

Note:

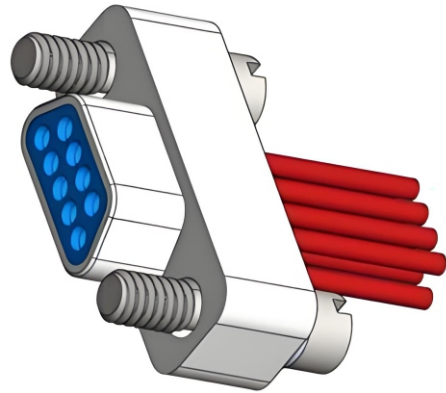
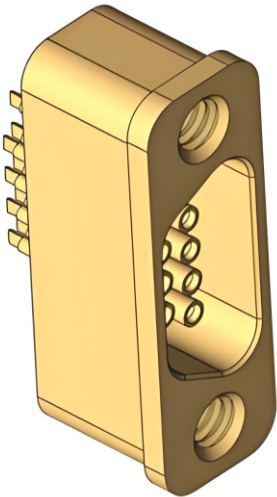
The product is compatible with wires of 0.07mm² specification. The wire length is defined by the customer. When selecting the model, users need to specify the wire information in the model. For example, J20JB-9TJ-N2 (0.07mm² white 300mm) indicates that the product has a 300mm long white wire of 0.07mm² specification extending from the tail. When there are special requirements, technical data should be provided.

Product Outline Dimension Diagram



| Product Model (n) | A | B |
|-------------------|-------|-------|
| J20JB-5TJ-N2 | 9.9 | 7.1 |
| J20JB-9TJ-N2 | 11.8 | 9 |
| J20JB-11TJ-N2 | 12.75 | 9.95 |
| J20JB-13TJ-N2 | 13.7 | 10.9 |
| J20JB-15TJ-N2 | 14.65 | 11.85 |
| J20JB-21TJ-N2 | 17.5 | 14.7 |
| J20JB-25TJ-N2 | 19.4 | 16.6 |
| J20JB-31TJ-N2 | 22.25 | 19.45 |
| J20JB-37TJ-N2 | 25.1 | 22.3 |

J29M1 Series Glass Sintered Sealed Electrical Connector



The pictures are for reference only

J29M1 Series Glass Sintered Sealed Electrical Connector

Product Features

- Shell Material: Fe-Ni-Co alloy;
- Specification Core Counts: Seven types: 9, 15, 21, 25, 31, 37, 66;
- This series of products are integral glass-sintered sealed sockets installed before the panel, with a contact pitch of 1.91mm. The contact parts are welded with wires at the tail, and are compatible with wire core cross-sectional areas of 0.15mm²~0.3mm²;
- Used in conjunction with J29A-□TJ series plugs;
- Meet the requirements of GJB2446A;
- Execution Standard:
- Application Field: This series of products are sintered with Kovar alloy, have a sealed interface function, realize cavity sealing, and can be used in integrated systems systems with high requirements;
- Technical Characteristics
- Ambient Temperature: -55°C ~ +125°C
- Vibration: 10Hz ~ 2000Hz, 196m/s²
- Shock: 980m/s², 6ms
- Insulation Resistance: ≥ 5000MΩ
Dielectric Withstand Voltage: 1000V r.m.s
- Rated Current: 5A
- Contact Resistance: ≤ 30mΩ
- Mechanical Life: 500 times
- Leakage Rate: ≤ 1×10⁻³Pa·cm³/s

Order Marking

J29 M1 - X ZK S P12
 ① ② ③ ④ ⑤ ⑥

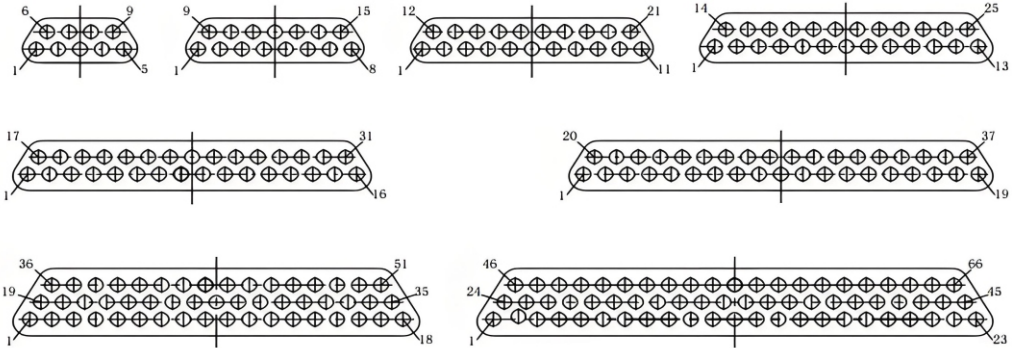
- ① Main Designation: J29 Series;
- ② Sealing Type: M1 - Integral Glass Sintering;
- ③ Number of Contacts: 9, 15, 21, 25, 31, 37, 51, 66;
- ④ Contact Type: ZK - Socket Mounted Jack;
- ⑤ Tail Form: S - Solder Cup Type;⑥ Accessory: P12 - P12 Type Mounting Screw;

Order Marking

J29M1 - 25ZKS This marking indicates a J29 series glass-sintered sealed socket with 25 contacts, where the contacts are jacks and the tail end is of solder cup type.

J29M1 Series Glass Sintered Sealed Electrical Connector

Product Features



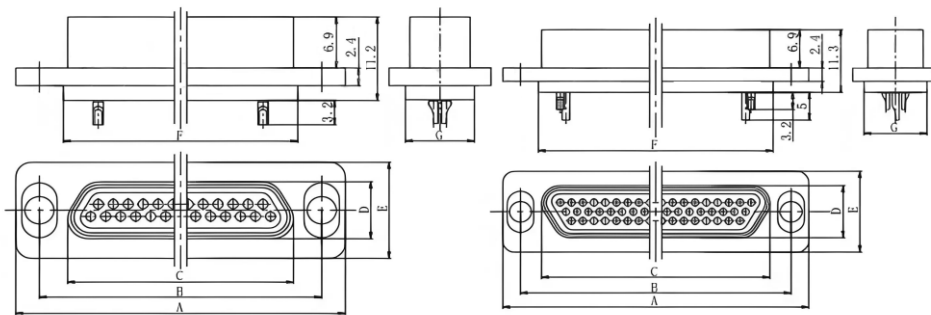
Viewed from the mating end of the socket

Note: Viewed from the mating end of the plug

Product Outline Dimension Diagram

Outline Diagram of J29M1 9~37 Core Socket Structure

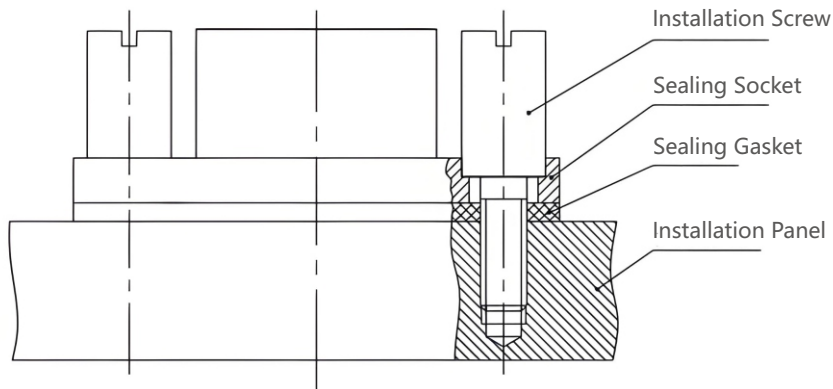
Outline Diagram of J29M1 51~66 Core Socket Structure



| Product Specification | A | B | C | D | E | F | G |
|-----------------------|------|------|------|-----|-----|------|------|
| J29M1-9ZKS | 26.1 | 20.1 | 12.9 | 6.8 | 6.8 | 14.2 | 8.8 |
| J29M1-15ZKS | 31.6 | 25.6 | 18.4 | 6.8 | 6.8 | 19.7 | 8.8 |
| J29M1-21ZKS | 37.3 | 31.3 | 24.1 | 6.8 | 6.8 | 25.4 | 8.8 |
| J29M1-25ZKS | 42 | 36 | 28.8 | 7.7 | 7.7 | 29.9 | 8.8 |
| J29M1-31ZKS | 47.8 | 41.8 | 34.6 | 7.7 | 7.7 | 35.7 | 8.8 |
| J29M1-37ZKS | 53.5 | 47.5 | 40.3 | 7.7 | 7.7 | 41.4 | 8.8 |
| J29M1-51ZKS | 52 | 46 | 38.8 | 9.4 | 9.4 | 39.9 | 10.7 |
| J29M1-66ZKS | 61.5 | 55.5 | 48.3 | 9.4 | 9.4 | 49.4 | 10.7 |

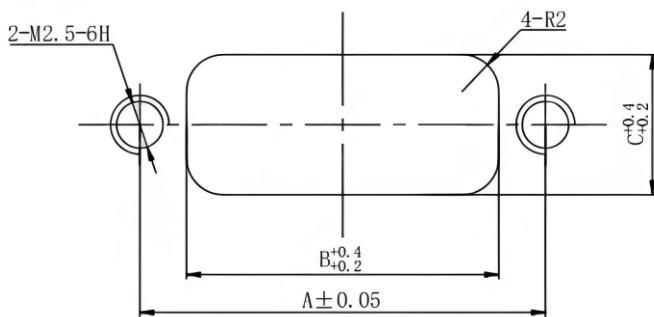
J29M1 Series Glass Sintered Sealed Electrical Connector

Installation Schematic Diagram



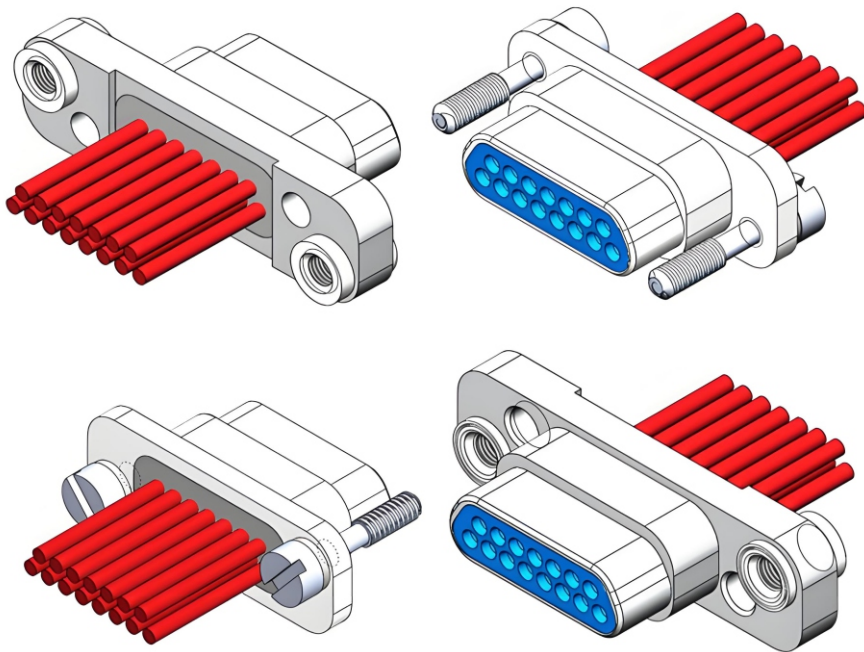
Note: It is recommended to use J29A-P12 installation screws.

Installation Hole Dimension Diagram



| Product Specification | A | B | C |
|-----------------------|------|------|------|
| J20JM1-5ZKS-A1 | 20.1 | 14.2 | 8.8 |
| J20JM1-9ZKS-A1 | 25.6 | 19.7 | 8.8 |
| J20JM1-11ZKS-A1 | 31.3 | 25.4 | 8.8 |
| J20JM1-13ZKS-A1 | 36 | 29.9 | 8.8 |
| J20JM1-15ZKS-A1 | 41.8 | 35.7 | 8.8 |
| J20JM1-21ZKS-A1 | 47.5 | 41.4 | 8.8 |
| J20JM1-25ZKS-A1 | 46 | 39.9 | 10.7 |
| J20JM1-31ZKS-A1 | 55.5 | 49.4 | 10.7 |

J30JB Series Micro-Rectangular Electrical Connector



The pictures are for reference only

J30JB Series Micro-Rectangular Electrical Connector

J30JB Series Micro-Rectangular Electrical Connector

Product Features

- Specifications: Nine specifications with 5, 9, 11, 13, 15, 21, 25, 31, and 37 cores.
- Adopts stranded twisted pins with a contact pitch of 1.27mm and a row pitch of 1.1mm.
- Product Features: High density, miniaturization, and high reliability.
- Suitable wire cross-sectional area: 0.1mm²~0.15mm².
- Product performance meets the requirements of GJB2446, equivalent to the US military standard MIL-DT-83513.
- Execution Standard:
- Q/HJ-001-2024 "Detailed Specification for J30J Series Micro-Rectangular Electrical Connectors"

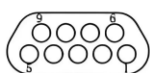
Technical Characteristics

- Ambient Temperature: -55°C~+125°C
- Vibration: 10Hz~2000Hz, 196m/s²
- Random Vibration: Power spectral density 0.4G²/Hz, total acceleration root mean square 23.1G
- Shock: 735m/s², 11ms
- Rated Current: 3A
- Contact Resistance: ≤10mΩ
- Insulation Resistance: ≥5000MΩ at 500VDC
- Dielectric Withstand Voltage: 600V
- Mechanical Life: 500 cycles

Type Spectrum Arrangement



5芯



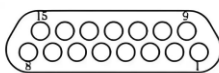
9芯



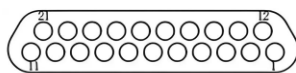
11芯



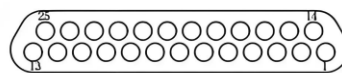
13芯



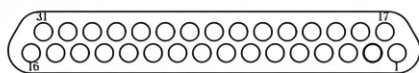
15芯



21芯



25芯



31芯

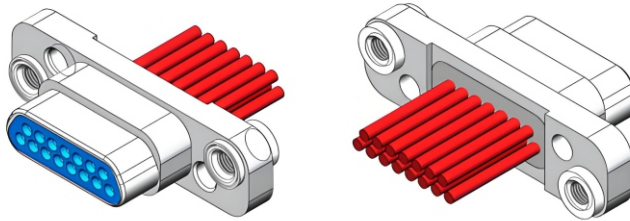


37芯

Note: Viewed from the mating end of the plug

J30JB Series Micro-Rectangular Electrical Connector

Product Stereogram



Product Model

Plug J30J-nTJ-Q24-1

Product Outline Dimension Diagram

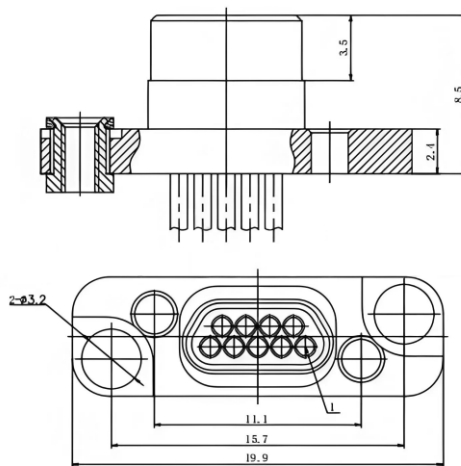
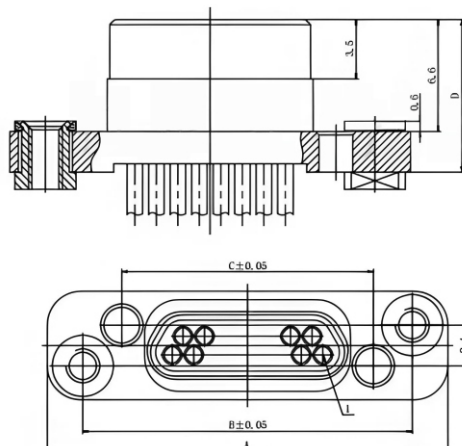


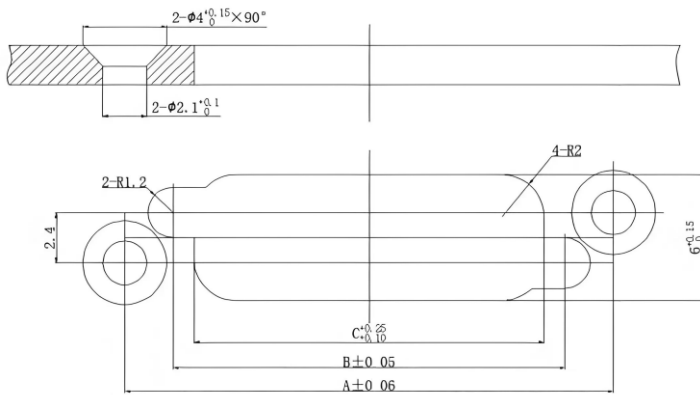
Figure 1 Outline Dimension of J30J-9TJ-Q24-1



J30JB Series Micro-Rectangular Electrical Connector

| Product Model | A | B | C | D |
|-----------------|-------|-------|-------|-----|
| J30J-15TJ-Q24-1 | 23.65 | 19.45 | 14.85 | 9 |
| J30J-21TJ-Q24-1 | 27.5 | 23.3 | 18.7 | 8.5 |
| J30J-25TJ-Q24-1 | 30 | 25.8 | 21.2 | 8.5 |
| J30J-31TJ-Q24-1 | 33.8 | 29.6 | 25 | 8.5 |
| J30J-37TJ-Q24-1 | 37.6 | 33.4 | 28.8 | 8.5 |

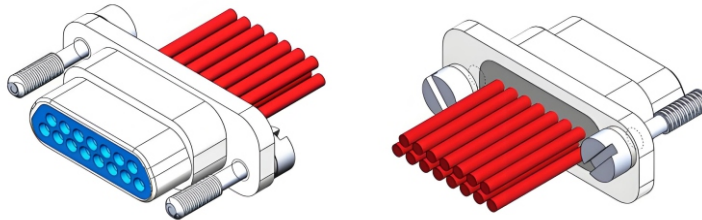
Recommended Mounting Hole Dimensions



| Product Model | A | B | C | Compatible Socket Model |
|-----------------|-------|-------|------|-------------------------|
| J30J-9TJ-Q24-1 | 15.7 | 11.1 | 9.1 | J30JMI-9ZKHV9-Q6 |
| J30J-15TJ-Q24-1 | 19.45 | 14.85 | 12.9 | J30JMI-15ZKHV9-Q6 |
| J30J-21TJ-Q24-1 | 23.3 | 18.7 | 16.7 | J30JMI-21ZKHV9-Q6 |
| J30J-25TJ-Q24-1 | 25.8 | 21.2 | 19.2 | J30JMI-25ZKHV9-Q6 |
| J30J-31TJ-Q24-1 | 29.6 | 25 | 23 | J30JMI-31ZKHV9-Q6 |
| J30J-37TJ-Q24-1 | 33.4 | 28.8 | 26.8 | J30JMI-37ZKHV9-Q6 |

J30JB Series Micro-Rectangular Electrical Connector

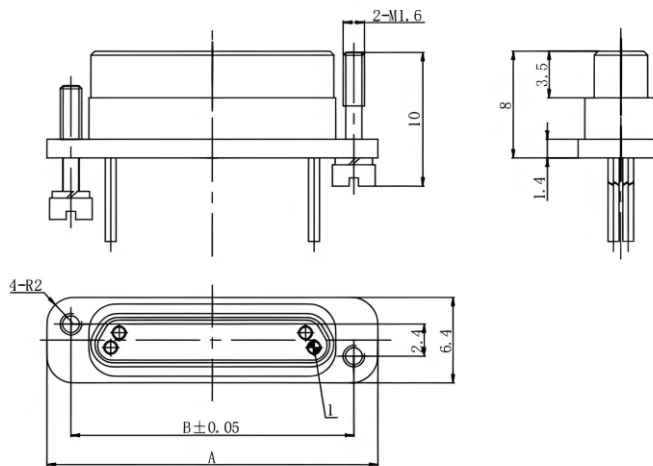
Product Stereogram



Product Model

Plug J30JB-nTJL24-Q41/J30J-nTJ-Q24-2

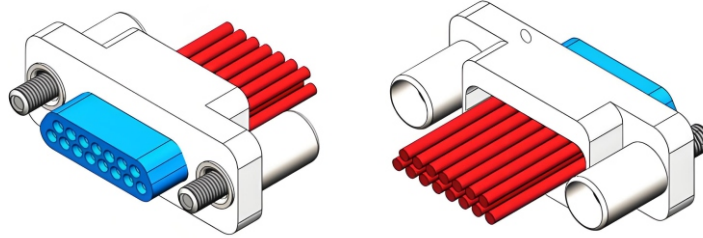
Product Outline Dimension Diagram



| Product Model | A | B | Compatible Socket Model |
|-------------------|-------|-------|-------------------------|
| J30JB-9TJL24-Q41 | 15.7 | 11.1 | J30JMI-9ZKH3-Q6 |
| J30J-9TJ-Q24-2 | | | |
| J30JB-15TJL24-Q41 | 19.45 | 14.85 | J30JMI-15ZKH3-Q6 |
| J30J-15TJ-Q24-2 | | | |
| J30JB-21TJL24-Q41 | 23.3 | 18.7 | J30JMI-21ZKH3-Q6 |
| J30J-21TJ-Q24-2 | | | |
| J30JB-25TJL24-Q41 | 25.8 | 21.2 | J30JMI-25ZKH3-Q6 |
| J30J-25TJ-Q24-2 | | | |
| J30JB-31TJL24-Q41 | 29.6 | 25 | J30JMI-31ZKH3-Q6 |
| J30J-31TJ-Q24-2 | | | |
| J30JB-37TJL24-Q41 | 33.4 | 28.8 | J30JMI-37ZKH3-Q6 |
| J30J-37TJ-Q24-2 | | | |

J30JB Series Micro-Rectangular Electrical Connector

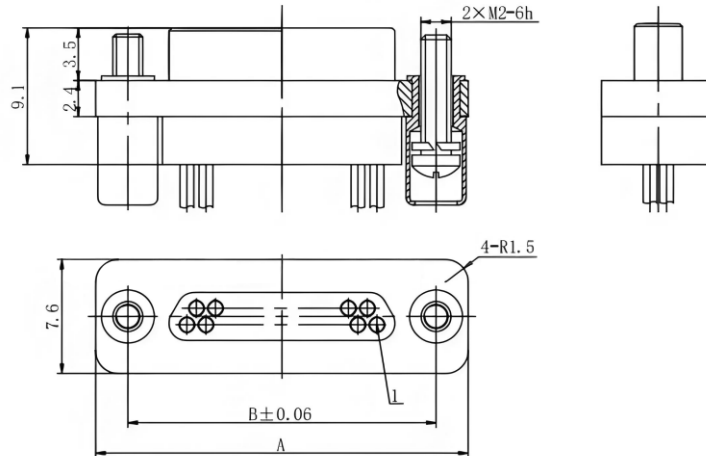
Product Stereogram



Product Model

Plug J30JB-nTJL

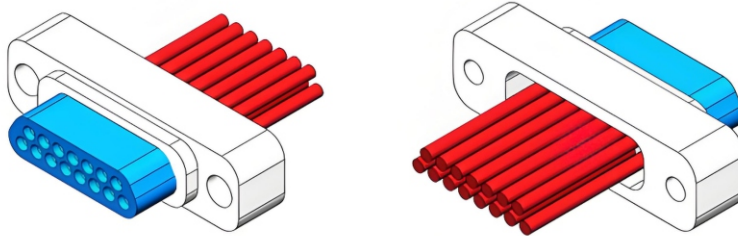
Product Outline Dimension Diagram



| Product Model | A | B | Compatible Socket Mode | |
|---------------|------|------|------------------------|------------------|
| | | | J30JMI-9ZKH2-Q1 | J30JMI-9ZKH2-Q2 |
| J30JB-9TJL | 17.3 | 13 | J30JMI-9ZKH2-Q1 | J30JMI-9ZKH2-Q2 |
| J30JB-13TJL | 19.6 | 15.5 | J30JMI-15ZKH2-Q1 | J30JMI-15ZKH2-Q2 |
| J30JB-15TJL | 21.1 | 16.8 | J30JMI-15ZKH2-Q1 | J30JMI-15ZKH2-Q2 |
| J30JB-21TJL | 24.8 | 20.6 | J30JMI-21ZKH2-Q1 | J30JMI-21ZKH2-Q2 |
| J30JB-25TJL | 27.4 | 23.1 | J30JMI-25ZKH2-Q1 | J30JMI-25ZKH2-Q2 |
| J30JB-31TJL | 31.2 | 26.9 | J30JMI-31ZKH2-Q1 | J30JMI-31ZKH2-Q2 |
| J30JB-37TJL | 35 | 30.7 | J30JMI-37ZKH2-Q1 | J30JMI-37ZKH2-Q2 |

J30JB Series Micro-Rectangular Electrical Connector

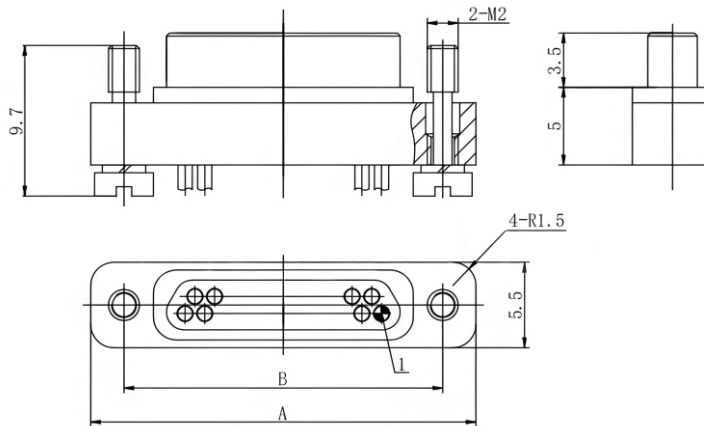
Product Stereogram



Product Model

Plug J30JB-nTJ-1/J30J-nTJ-Q60A

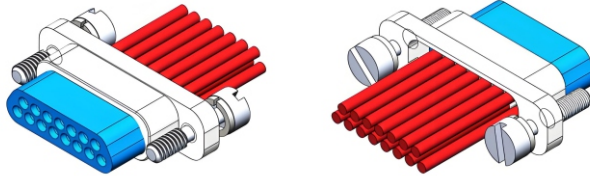
Product Outline Dimension Diagram



| Product Model | A | B | Compatible Socket Model |
|----------------|------|------|-------------------------|
| J30JB-9TJ-1 | 16.4 | 13 | J30JMI-9ZKH-Q45A |
| J30J-9TJ-Q60A | | | |
| J30JB-13TJ-1 | 18.9 | 15.5 | J30JMI-13ZKH-Q45A |
| J30J-13TJ-Q60A | | | |
| J30JB-15TJ-1 | 20.2 | 16.8 | J30JMI-15ZKH-Q45A |
| J30J-15TJ-Q60A | | | |
| J30JB-21TJ-1 | 24 | 20.6 | J30JMI-21ZKH-Q45A |
| J30J-21TJ-Q60A | | | |
| J30JB-25TJ-1 | 26.5 | 23.1 | J30JMI-25ZKH-Q45A |
| J30J-25TJ-Q60A | | | |
| J30JB-31TJ-1 | 30.3 | 26.9 | J30JMI-31ZKH-Q45A |
| J30J-31TJ-Q60A | | | |
| J30JB-37TJ-1 | 34.1 | 30.7 | J30JMI-37ZKH-Q45A |
| J30J-37TJ-Q60A | | | |

J30JB Series Micro-Rectangular Electrical Connector

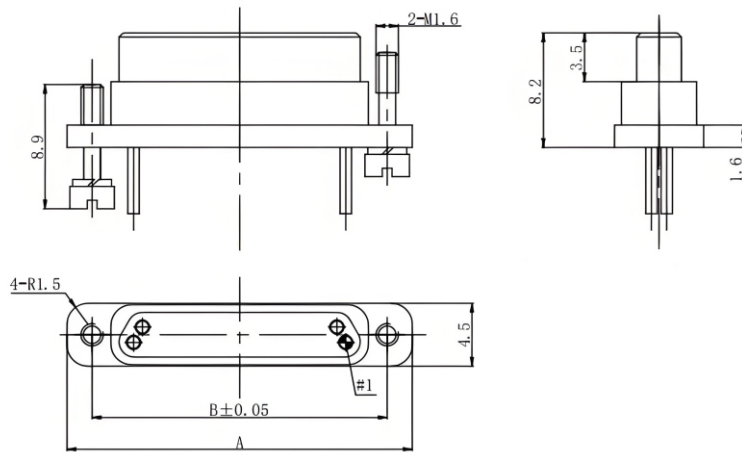
Product Stereogram



Product Model

Plug J30J-nTJL90-Q8

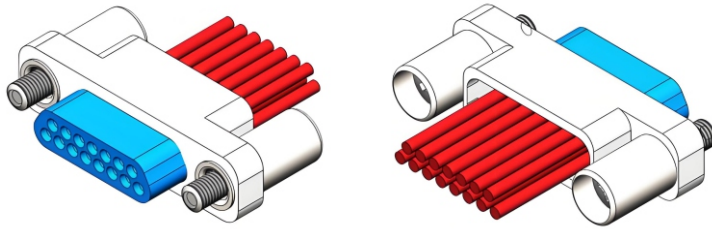
Product Outline Dimension Diagram



| Product Model | A | B | Compatible Socket Model |
|-------------------|------|-------|-------------------------|
| J30JB-9TJL24-Q41 | 11.2 | 7.9 | J30JMI-5ZKH1-Q3 |
| J30J-9TJ-Q24-2 | 13.7 | 10.44 | J30JMI-9ZKH1-Q3 |
| J30JB-15TJL24-Q41 | 15.8 | 12.5 | J30JMI-11ZKH1-Q3 |
| J30J-15TJ-Q24-2 | 17.3 | 13.9 | J30JMI-13ZKH1-Q3 |
| J30JB-21TJL24-Q41 | 17.5 | 14.25 | J30JMI-15ZKH1-Q3 |
| J30J-21TJ-Q24-2 | 21.3 | 18.06 | J30JMI-21ZKH1-Q3 |
| J30JB-25TJL24-Q41 | 24 | 20.6 | J30JMI-25ZKH1-Q3 |
| J30J-25TJ-Q24-2 | 27.7 | 24.4 | J30JMI-31ZKH1-Q3 |
| J30JB-31TJL24-Q41 | 31.5 | 28.2 | J30JMI-37ZKH1-Q3 |

J30JB Series Micro-Rectangular Electrical Connector

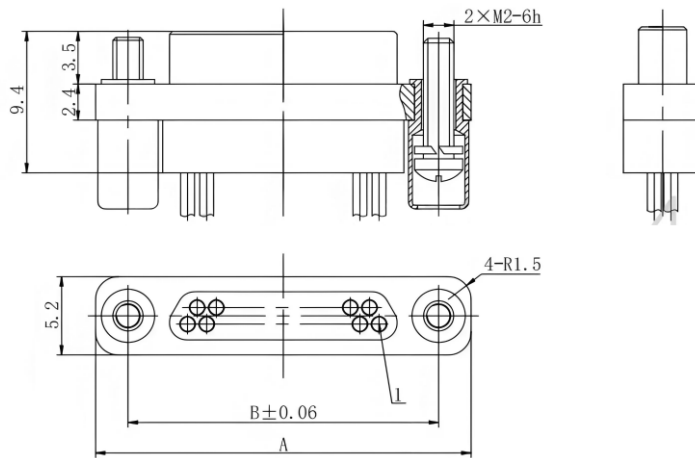
Product Stereogram



Product Model

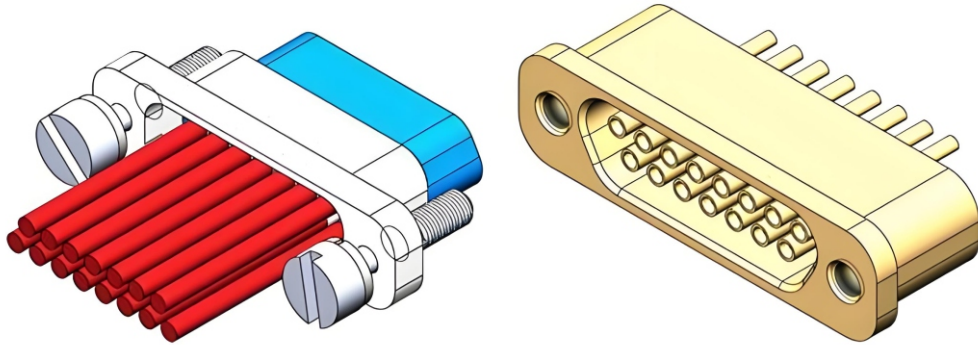
Plug J30J-nTJL-Q9

Product Outline Dimension Diagram



| Product Model | A | B | Compatible Socket Model | Compatible Socket Model |
|----------------|------|------|-------------------------|-------------------------|
| J30JB-5TJL-Q9 | 14.7 | 10.4 | J30JMI-5ZKH2-Q3 | J30JMI-5ZKH2-Q3 |
| J30JB-9TJL-Q9 | 17.3 | 13 | J30JMI-9ZKH2-Q3 | J30JMI-9ZKH2-Q3 |
| J30JB-11TJL-Q9 | 18.6 | 14.3 | J30JMI-11ZKH2-Q1 | J30JMI-11ZKH2-Q1 |
| J30JB-13TJL-Q9 | 19.6 | 15.5 | J30JMI-13ZKH2-Q1 | J30JMI-13ZKH2-Q1 |
| J30JB-15TJL-Q9 | 21.1 | 16.8 | J30JMI-15ZKH2-Q1 | J30JMI-15ZKH2-Q1 |
| J30JB-21TJL-Q9 | 24.8 | 20.6 | J30JMI-21ZKH2-Q1 | J30JMI-21ZKH2-Q1 |
| J30JB-25TJL-Q9 | 27.4 | 23.1 | J30JMI-25ZKH2-Q1 | J30JMI-25ZKH2-Q1 |
| J30JB-31TJL-Q9 | 31.2 | 26.9 | J30JMI-31ZKH2-Q1 | J30JMI-31ZKH2-Q1 |
| J30JB-37TJL-Q9 | 35 | 30.7 | J30JMI-37ZKH2-Q1 | J30JMI-37ZKH2-Q1 |

J30JM1 Series Glass Sintered Hermetic Electrical Connector



The pictures are for reference only

J30JM1 Series Glass Sintered Hermetic Electrical Connector

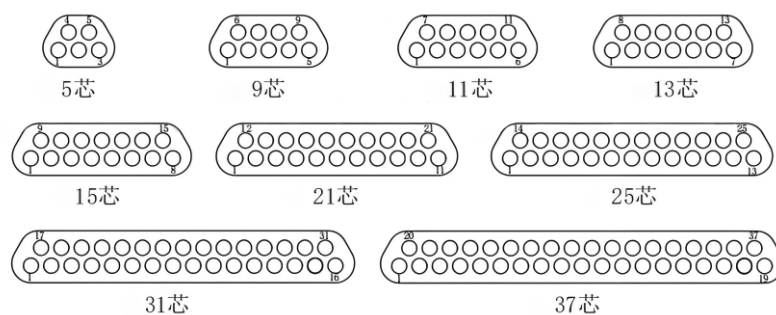
Product Features

- Shell Material: Fe-Ni-Co alloy;
- Specifications: Nine types with 5, 9, 11, 13, 15, 21, 25, 31, and 37 cores;
- Sealing Socket: This series of products features single-hole glass-sintered sealed sockets with a contact pitch of 1.27mm;
- Matching Plug: The matching plug adopts stranded elastic twisted elastic pins, ensuring high reliability and gentle insertion/extraction;
- Sealing Method: Glass-sintered sealing is used, resulting in a low leakage rate;
- Interchangeability and Locking Function: J30JMI-□ZKS19, J30JMI-□ZKS19-B, and J30JMI-□ZKS-Q99 can be mated with J30J-□TJ-Q60A, and they have a locking function;
- Blind-Mate and Locking Functions (for Specific Models): When J30JMI-□ZKS-Q25 is used with the J30J-□TJ-Q24-1 series plug, it has a floating blind-mate function; when mated with the J30J-□TJ-Q24-2 series plug, it has a locking function;
- Performance Standard: The product performance meets the requirements of GJB2446 (equivalent to the U.S. military standard MIL-C-83513);
- Implementation Standard: Q/HJ-009-2024 "Detailed Specification for J30JM1 Series Micro-Rectangular Electrical Connectors";

Technical Characteristics

- Ambient Temperature: -55°C ~ +125°C
- Leakage Rate: $1.0 \times 10^{-3} \text{Pa} \cdot \text{cm}^3/\text{s}$
- Vibration: 10Hz ~ 2000Hz, 196m/s^2
- Random Vibration: Power Spectral Density $0.4 \text{G}^2/\text{Hz}$, Total Acceleration Root Mean Square Value 23.1G
- Shock: 980m/s^2 , 6ms
- Rated Current: 3A
- Contact Resistance: $\leq 30 \text{m}\Omega$
- Insulation Resistance: $\geq 5000 \text{M}\Omega$, 100VDC
- Dielectric Withstand Voltage: 300V
- Mechanical Life: 500 Cycles

Type Spectrum Arrangement



Note: Viewed from the mating end of the plug

J30JM1 Series Glass Sintered Hermetic Electrical Connector

Order Marking

J30J X - □ ZK X X
 ① ② ③ ④ ⑤ ⑥

- ① Main Designation: J30J
- ② Category: M1 - Single - hole glass - sintered sealing; (M) - Potting sealing
- ③ Contact Type Spectrum: 5, 9, 11, 13, 15, 21, 25, 31, 37
- ④ Connector and Contact Type: ZK - Socket with mounting holes
- ⑤ Contact Termination Style:
 - S - Welding (tail end bonded with alloy wire)
 - H - Welding (tail end bonded with alloy wire) (H, H1, H2, H3, HV9, S19)
 - SV9 - Bonded with alloy wire, socket end with additional guide pin
 - S19 - Bonded with alloy wire, tail end modified
- ⑥ Series Code: Q1, Q2, Q3, Q6, Q25, Q45A, Q99, S19, S19 - B
 - Q25 - Without flange, with guide pin; Q99 - With additional mounting hole;
 - B - Shell plating changed, for welding.

Marking Examples:

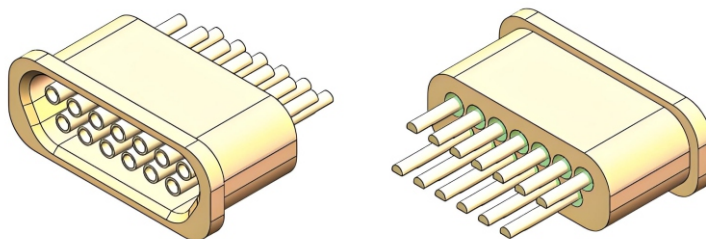
J30JMI-15ZKS19: This designation indicates a single-hole sintered sealed socket with 15 contacts and modified bonded sockets at the contact tail ends.

J30JMI-9ZKS-Q25: This designation indicates a single-hole sintered sealed socket with 9 contacts and bonded sockets.

J30JM1 Series Glass Sintered Hermetic Electrical Connector

Series J30JB Micro-Rectangular Electrical Connector

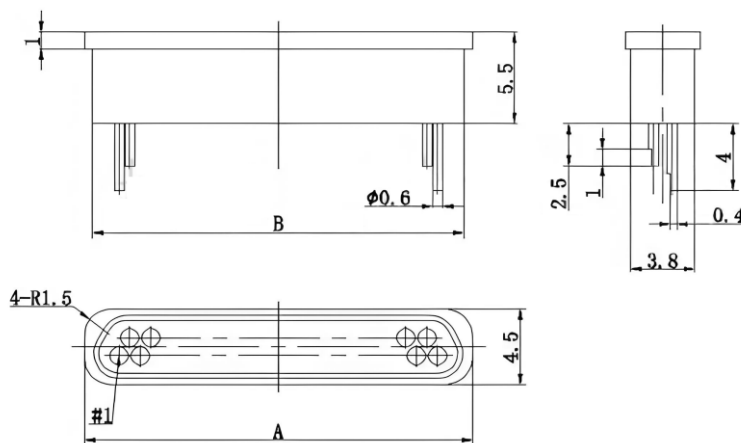
Product Stereogram



Product Model

Socket J30J (M) -nZK5

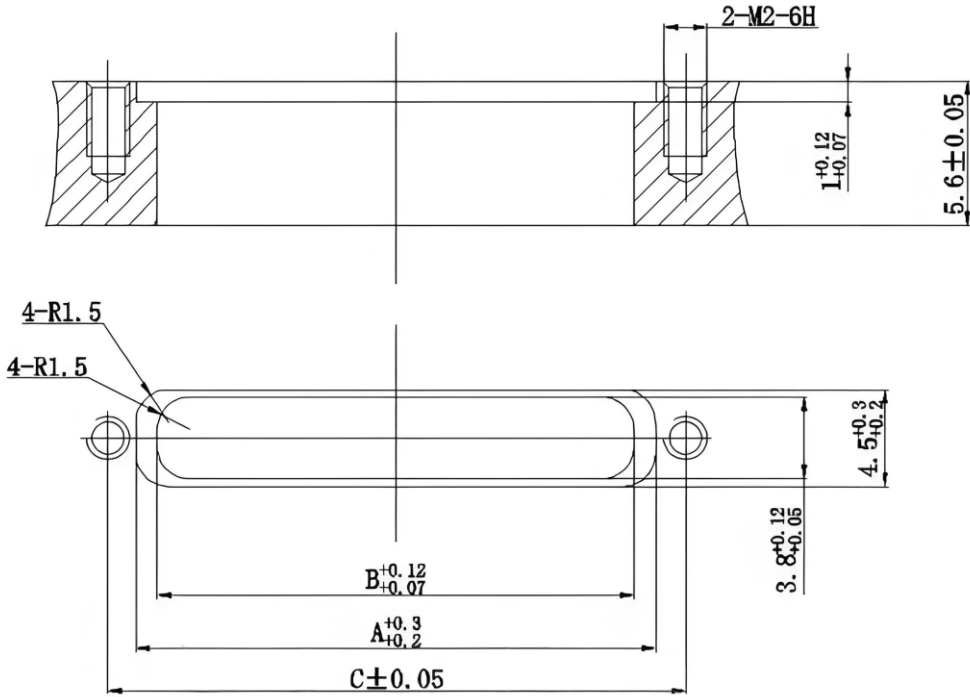
Product Outline Dimension Diagram



| Product Model | A | B |
|----------------|------|------|
| J30J (M)-9ZKS | 9.2 | 8.2 |
| J30J (M)-13ZKS | 11.7 | 10.7 |
| J30J (M)-15ZKS | 13 | 12 |
| J30J (M)-21ZKS | 16.8 | 15.8 |
| J30J (M)-25ZKS | 19.3 | 18.3 |
| J30J (M)-31ZKS | 23.2 | 22.2 |
| J30J (M)-37ZKS | 27 | 26 |

J30JM1 Series Glass Sintered Hermetic Electrical Connector

Recommended Mounting Hole Size

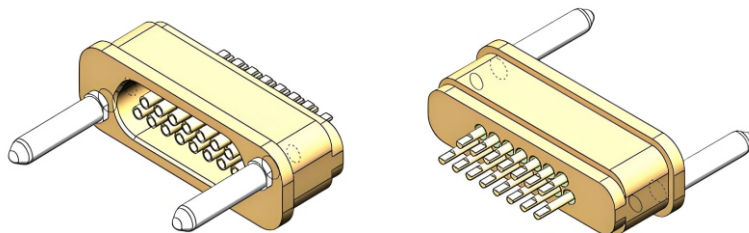


| Product Model | A | B | C |
|----------------|------|------|------|
| J30J (M)-9ZKS | 9.2 | 8.2 | 13 |
| J30J (M)-13ZKS | 11.7 | 10.7 | 15.5 |
| J30J (M)-15ZKS | 13 | 12 | 16.8 |
| J30J (M)-21ZKS | 16.8 | 15.8 | 20.6 |
| J30J (M)-25ZKS | 19.3 | 18.3 | 23.1 |
| J30J (M)-31ZKS | 23.2 | 22.2 | 16.9 |
| J30J (M)-37ZKS | 27 | 26 | 30.7 |

J30JM1 Series Glass Sintered Hermetic Electrical Connector

Series J30JB Micro-Rectangular Electrical Connector

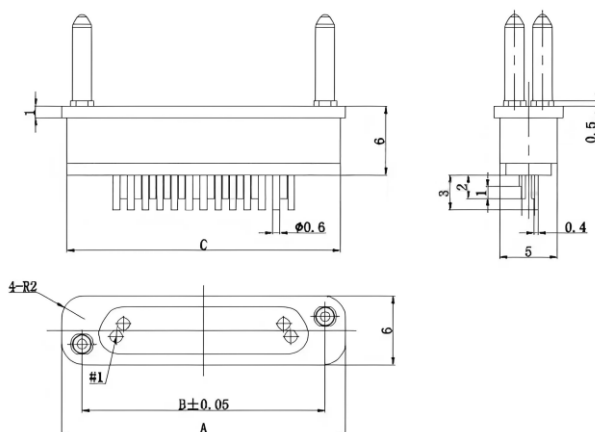
Product Stereogram



Product Model

Socket J30J (M) -nZK5

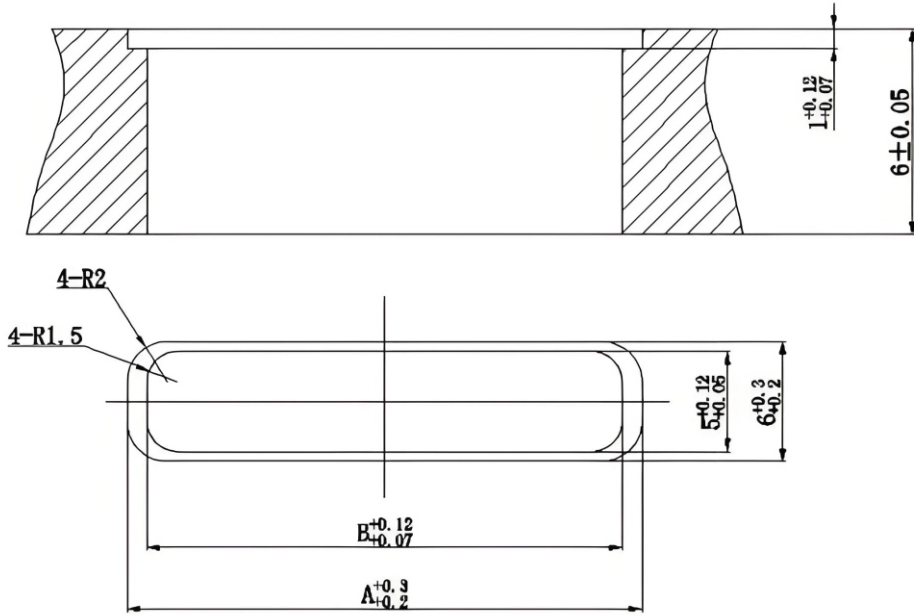
Product Outline Dimension Diagram



| Product Model | A | B | C |
|------------------|-------|-------|-------|
| J30JMI-9ZKS-Q25 | 14.7 | 11.1 | 13.7 |
| J30JMI-15ZKS-Q25 | 18.45 | 14.85 | 17.45 |
| J30JMI-21ZKS-Q25 | 22.3 | 18.7 | 21.3 |
| J30JMI-25ZKS-Q25 | 24.8 | 21.2 | 23.8 |
| J30JMI-31ZKS-Q25 | 28.6 | 25 | 27.6 |
| J30JMI-37ZKS-Q25 | 32.4 | 28.8 | 31.4 |

J30JM1 Series Glass Sintered Hermetic Electrical Connector

Recommended Mounting Hole Size

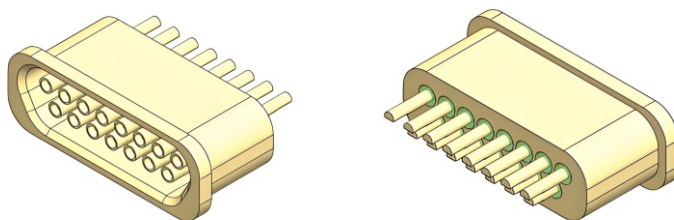


| Product Model | A | B |
|------------------|-------|-------|
| J30JMI-9ZKS-Q25 | 14.7 | 13.7 |
| J30JMI-15ZKS-Q25 | 18.45 | 17.45 |
| J30JMI-21ZKS-Q25 | 22.3 | 21.3 |
| J30JMI-25ZKS-Q25 | 24.8 | 23.8 |
| J30JMI-31ZKS-Q25 | 28.6 | 27.6 |
| J30JMI-37ZKS-Q25 | 32.4 | 31.4 |

J30JM1 Series Glass Sintered Hermetic Electrical Connector

Series J30JB Micro-Rectangular Electrical Connector

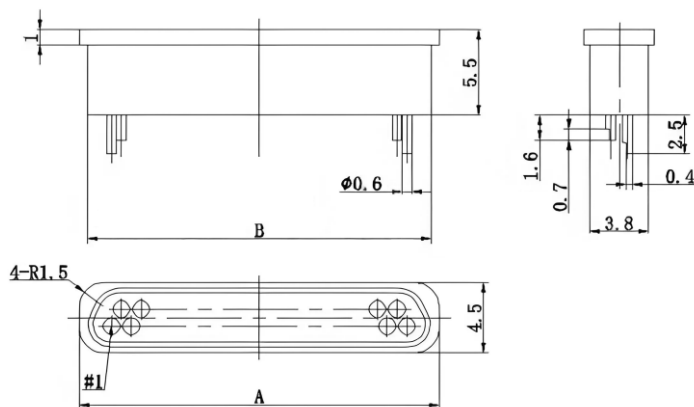
Product Stereogram



Product Model

Socket J30JMI-nZKS19/ J30JMI-nZKS19-B

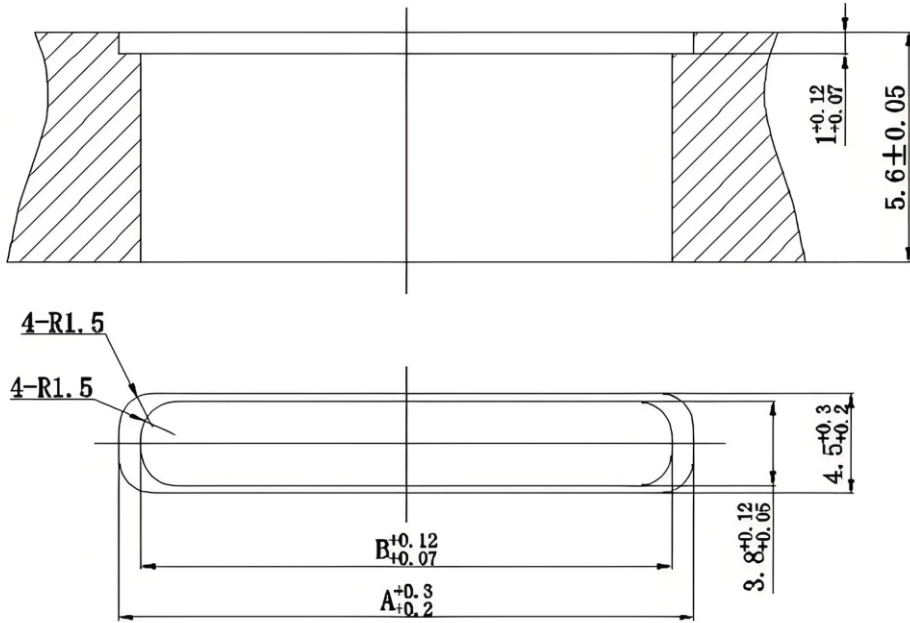
Product Outline Dimension Diagram



| Product Model | A | B |
|------------------|-------|-------|
| J30JMI-9ZKS-Q25 | 14.7 | 11.1 |
| J30JMI-15ZKS-Q25 | 18.45 | 14.85 |
| J30JMI-21ZKS-Q25 | 22.3 | 18.7 |
| J30JMI-25ZKS-Q25 | 24.8 | 21.2 |
| J30JMI-31ZKS-Q25 | 28.6 | 25 |
| J30JMI-37ZKS-Q25 | 32.4 | 28.8 |

J30JM1 Series Glass Sintered Hermetic Electrical Connector

Recommended Mounting Hole Size

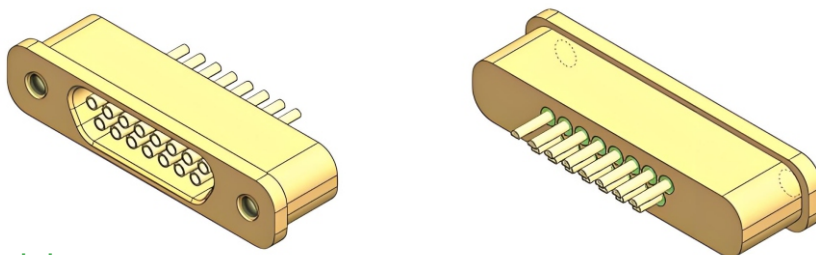


| Product Model | A | B |
|------------------|------|------|
| J30JMI-9ZKS19 | 9.2 | 8.2 |
| J30JMI-9ZKS19-B | | |
| J30JMI-13ZKS19 | 11.7 | 10.7 |
| J30JMI-13ZKS19-B | | |
| J30JMI-15ZKS19 | 13 | 12 |
| J30JMI-15ZKS19-B | | |
| J30JMI-21ZKS19 | 16.8 | 15.8 |
| J30JMI-21ZKS19-B | | |
| J30JMI-25ZKS19 | 19.3 | 18.3 |
| J30JMI-25ZKS19-B | | |
| J30JMI-31ZKS19 | 23.2 | 22.2 |
| J30JMI-31ZKS19-B | | |
| J30JMI-37ZKS19 | 27 | 26 |
| J30JMI-37ZKS19-B | | |

J30JM1 Series Glass Sintered Hermetic Electrical Connector

Series J30JB Micro-Rectangular Electrical Connector

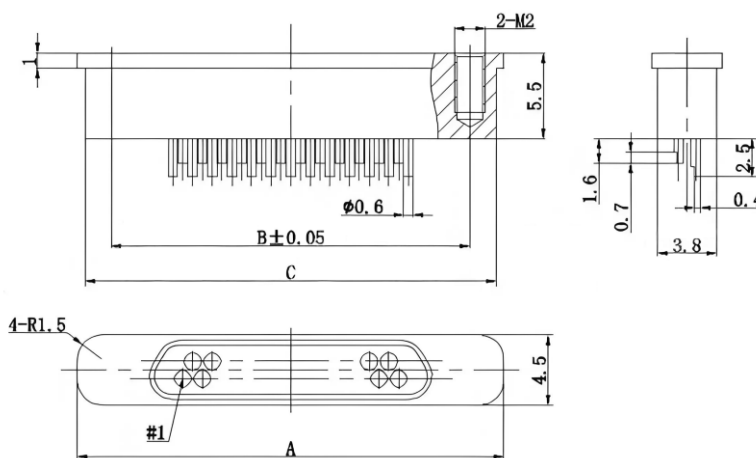
Product Stereogram



Product Model

Socket J30JMI-nZKS19-Q999

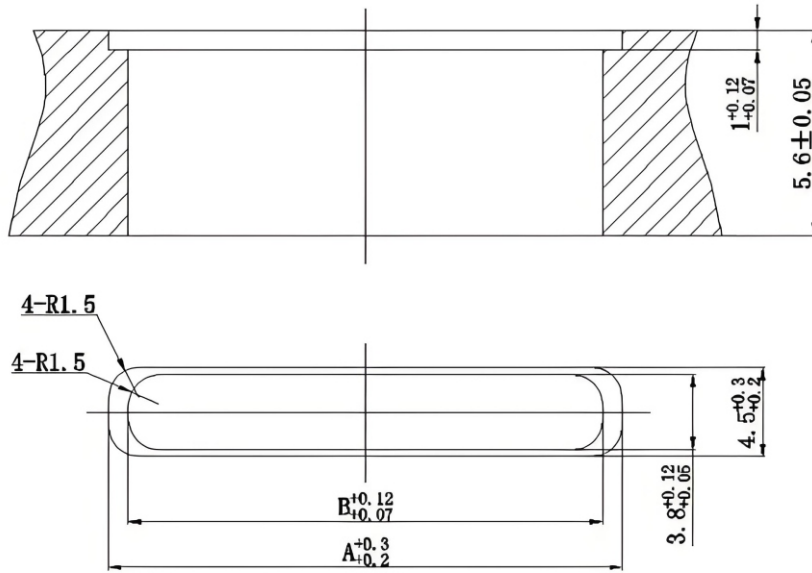
Product Outline Dimension Drawing



| Product Model | A | B | C |
|--------------------|------|-------|------|
| J30JMI-9ZKS19-Q99 | 17.5 | 13.1 | 16.5 |
| J30JMI-11ZKS19-Q99 | 18.8 | 14.4 | 17.8 |
| J30JMI-13ZKS19-Q99 | 20 | 15.6 | 19 |
| J30JMI-15ZKS19-Q99 | 21.3 | 16.87 | 20.3 |
| J30JMI-21ZKS19-Q99 | 25 | 20.6 | 24 |
| J30JMI-25ZKS19-Q99 | 27.6 | 23.2 | 26.6 |
| J30JMI-31ZKS19-Q99 | 31.4 | 27 | 30.4 |
| J30JMI-37ZKS19-Q99 | 35.3 | 30.9 | 34.3 |

J30JM1 Series Glass Sintered Hermetic Electrical Connector

Recommended Mounting Hole Size

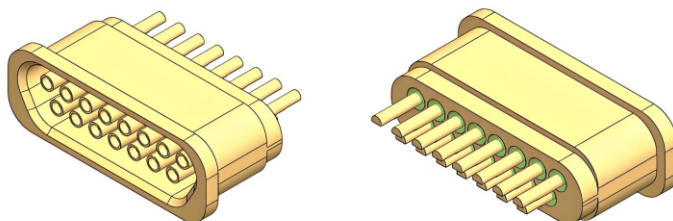


| Product Model | A | B |
|--------------------|------|------|
| J30JMI-9ZKS19-Q99 | 17.5 | 16.5 |
| J30JMI-11ZKS19-Q99 | 18.8 | 17.8 |
| J30JMI-13ZKS19-Q99 | 20 | 19 |
| J30JMI-15ZKS19-Q99 | 21.3 | 20.3 |
| J30JMI-21ZKS19-Q99 | 25 | 24 |
| J30JMI-25ZKS19-Q99 | 27.6 | 26.6 |
| J30JMI-31ZKS19-Q99 | 31.4 | 30.4 |
| J30JMI-37ZKS19-Q99 | 35.3 | 34.3 |

J30JM1 Series Glass Sintered Hermetic Electrical Connector

Series J30JB Micro-Rectangular Electrical Connector

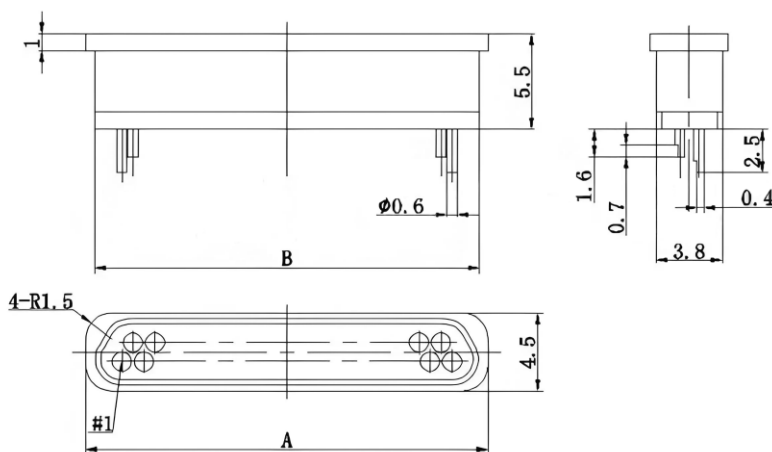
Product Stereogram



Product Model

Socket J30JMI-nZKH-Q45A

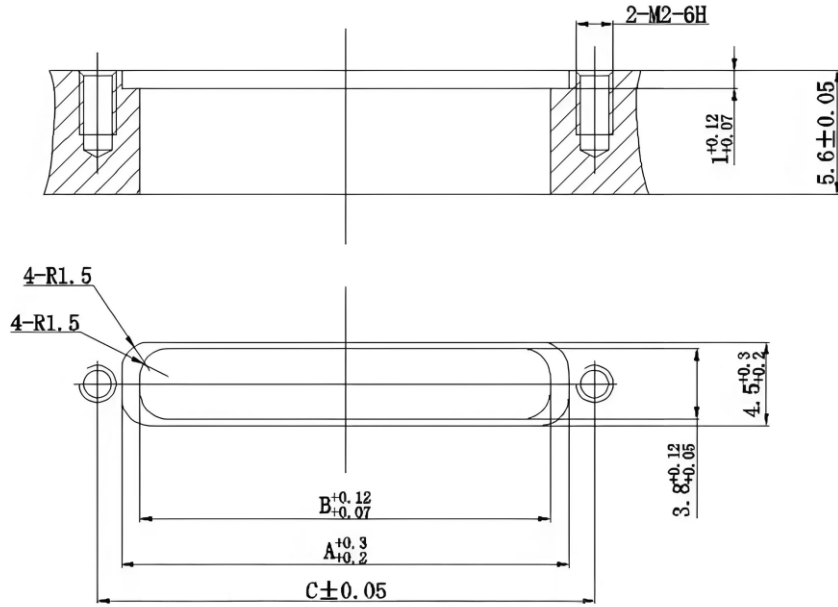
Product Outline Dimension Drawing



| Product Model | A | B |
|-------------------|------|------|
| J30JMI-5ZKH-Q45A | 6.6 | 5.6 |
| J30JMI-9ZKH-Q45A | 9.2 | 8.2 |
| J30JMI-11ZKH-Q45A | 10.4 | 9.4 |
| J30JMI-13ZKH-Q45A | 11.7 | 10.7 |
| J30JMI-15ZKH-Q45A | 13 | 12 |
| J30JMI-21ZKH-Q45A | 16.8 | 15.8 |
| J30JMI-25ZKH-Q45A | 19.3 | 18.3 |
| J30JMI-31ZKH-Q45A | 23.2 | 22.2 |
| J30JMI-37ZKH-Q45A | 27 | 26 |

J30JM1 Series Glass Sintered Hermetic Electrical Connector

Recommended Mounting Hole Size

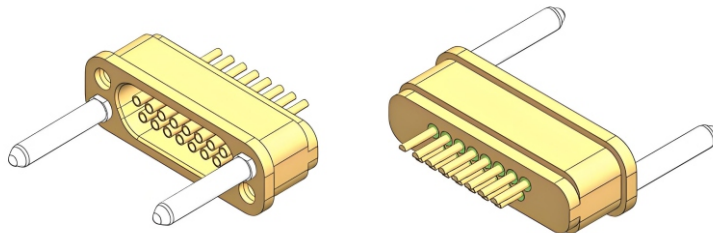


| Product Model | A | B | C |
|-------------------|------|------|------|
| J30JMI-5ZKH-Q45A | 6.6 | 5.6 | 10.4 |
| J30JMI-9ZKH-Q45A | 9.2 | 8.2 | 13 |
| J30JMI-11ZKH-Q45A | 10.4 | 9.4 | 14.2 |
| J30JMI-13ZKH-Q45A | 11.7 | 10.7 | 15.5 |
| J30JMI-15ZKH-Q45A | 13 | 12 | 16.8 |
| J30JMI-21ZKH-Q45A | 16.8 | 15.8 | 20.6 |
| J30JMI-25ZKH-Q45A | 19.3 | 18.3 | 23.1 |
| J30JMI-31ZKH-Q45A | 23.2 | 22.2 | 26.9 |
| J30JMI-37ZKH-Q45A | 27 | 26 | 30.7 |

J30JM1 Series Glass Sintered Hermetic Electrical Connector

Series J30JB Micro-Rectangular Electrical Connector

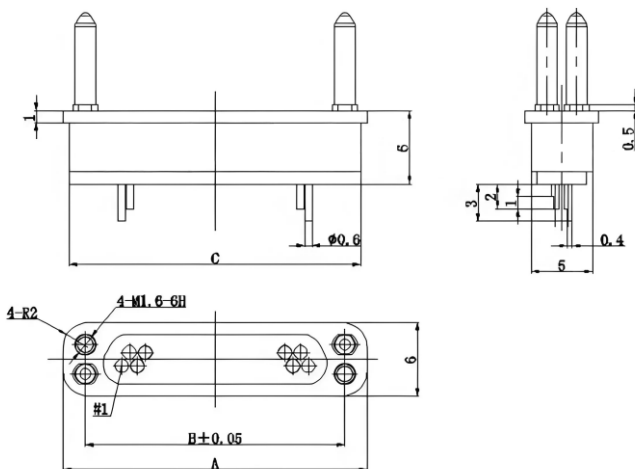
Product Stereogram



Product Model

Socket J30JMI-nZKHV9-Q6

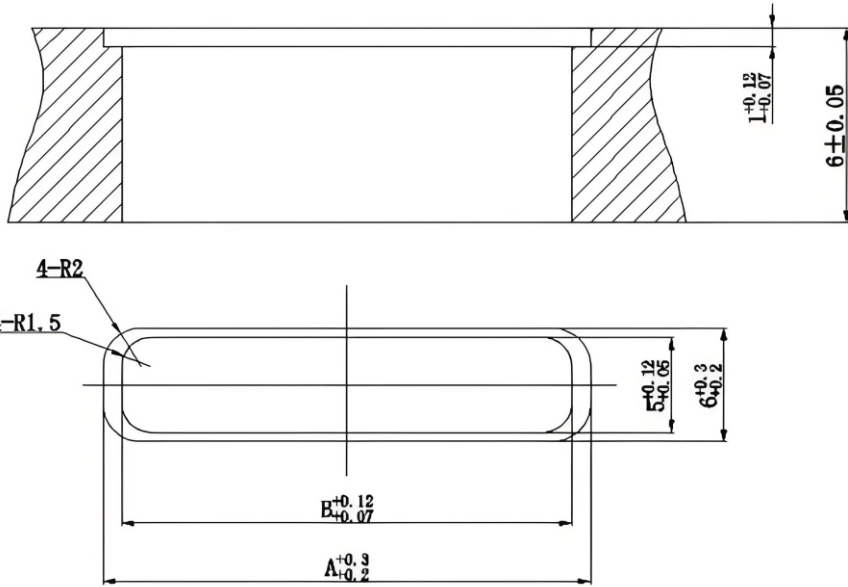
Product Outline Dimension Drawing



| Product Model | A | B | C |
|-------------------|-------|-------|-------|
| J30JMI-9ZKHV9-Q6 | 14.7 | 11.1 | 13.7 |
| J30JMI-15ZKHV9-Q6 | 18.45 | 14.85 | 17.45 |
| J30JMI-21ZKHV9-Q6 | 22.3 | 18.7 | 21.3 |
| J30JMI-25ZKHV9-Q6 | 24.8 | 21.2 | 23.8 |
| J30JMI-31ZKHV9-Q6 | 28.6 | 25 | 27.6 |
| J30JMI-37ZKHV9-Q6 | 32.4 | 28.8 | 31.4 |

J30JM1 Series Glass Sintered Hermetic Electrical Connector

Recommended Mounting Hole Size

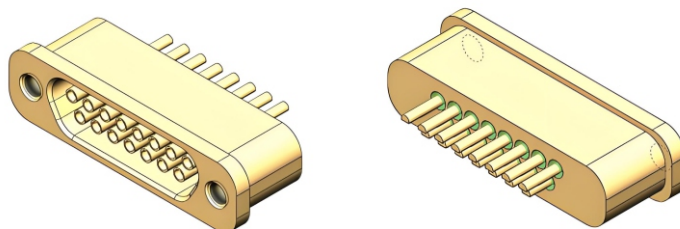


| Product Model | A | B |
|-------------------|-------|-------|
| J30JMI-9ZKHV9-Q6 | 14.7 | 13.7 |
| J30JMI-15ZKHV9-Q6 | 18.45 | 17.45 |
| J30JMI-21ZKHV9-Q6 | 22.3 | 21.3 |
| J30JMI-25ZKHV9-Q6 | 24.8 | 23.8 |
| J30JMI-31ZKHV9-Q6 | 28.6 | 27.6 |
| J30JMI-37ZKHV9-Q6 | 32.4 | 31.4 |

J30JM1 Series Glass Sintered Hermetic Electrical Connector

Series J30JB Micro-Rectangular Electrical Connector

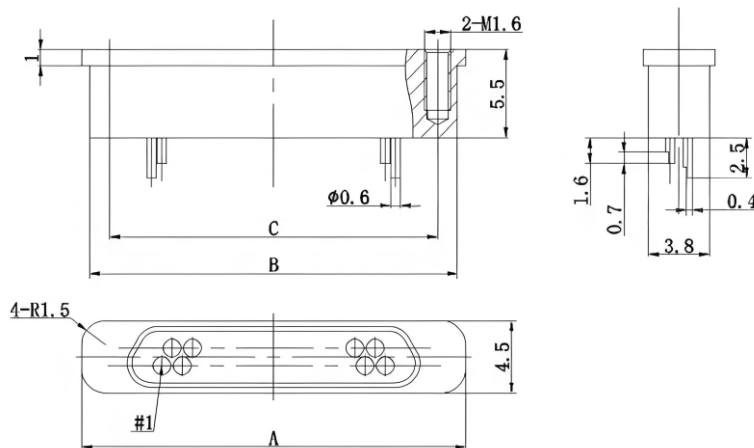
Product Stereogram



Product Model

Socket J30JMI-nZKH1-Q3

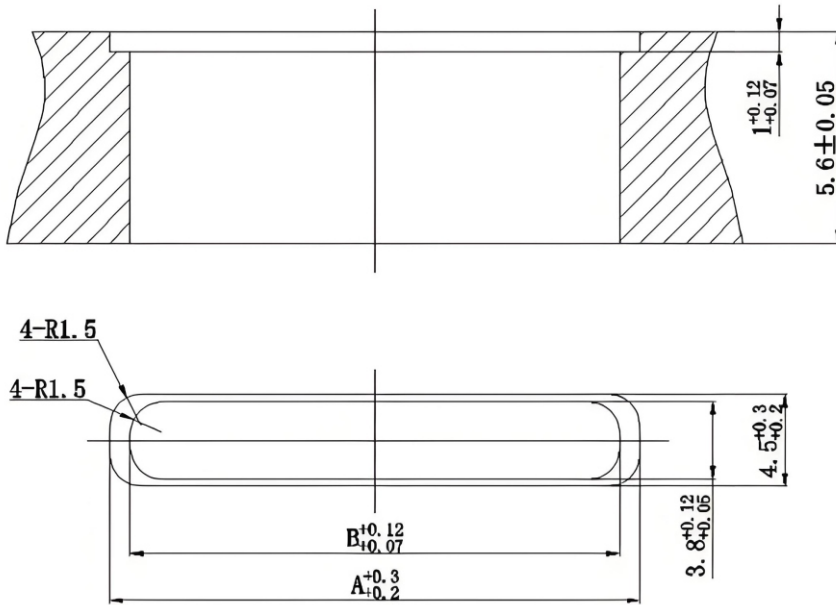
Product Outline Dimension Drawing



| Product Model | A | B | C |
|------------------|------|------|-------|
| J30JMI-5ZKH1-Q3 | 11.2 | 10.3 | 7.9 |
| J30JMI-9ZKH1-Q3 | 13.7 | 12.8 | 10.44 |
| J30JMI-11ZKH1-Q3 | 15.8 | 14.9 | 12.5 |
| J30JMI-13ZKH1-Q3 | 17.3 | 16.3 | 13.9 |
| J30JMI-15ZKH1-Q3 | 17.5 | 16.5 | 14.25 |
| J30JMI-21ZKH1-Q3 | 21.3 | 20.4 | 18.06 |
| J30JMI-25ZKH1-Q3 | 24 | 23 | 20.6 |
| J30JMI-31ZKH1-Q3 | 27.7 | 26.8 | 24.4 |
| J30JMI-37ZKH1-Q3 | 31.5 | 30.5 | 28.2 |

J30JM1 Series Glass Sintered Hermetic Electrical Connector

Recommended Mounting Hole Size

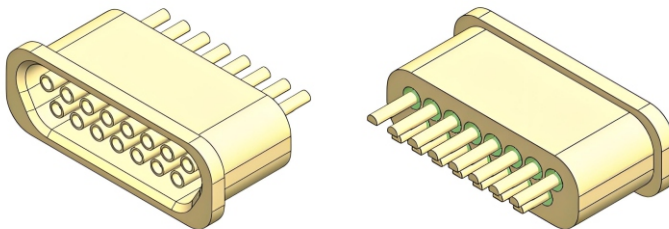


| Product Model | A | B |
|------------------|------|------|
| J30JMI-5ZKH1-Q3 | 11.2 | 10.3 |
| J30JMI-9ZKH1-Q3 | 13.7 | 12.8 |
| J30JMI-11ZKH1-Q3 | 15.8 | 14.9 |
| J30JMI-13ZKH1-Q3 | 17.3 | 16.3 |
| J30JMI-15ZKH1-Q3 | 17.5 | 16.5 |
| J30JMI-21ZKH1-Q3 | 21.3 | 20.4 |
| J30JMI-25ZKH1-Q3 | 24 | 23 |
| J30JMI-31ZKH1-Q3 | 27.7 | 26.8 |
| J30JMI-37ZKH1-Q3 | 31.5 | 30.5 |

J30JM1 Series Glass Sintered Hermetic Electrical Connector

Series J30JB Micro-Rectangular Electrical Connector

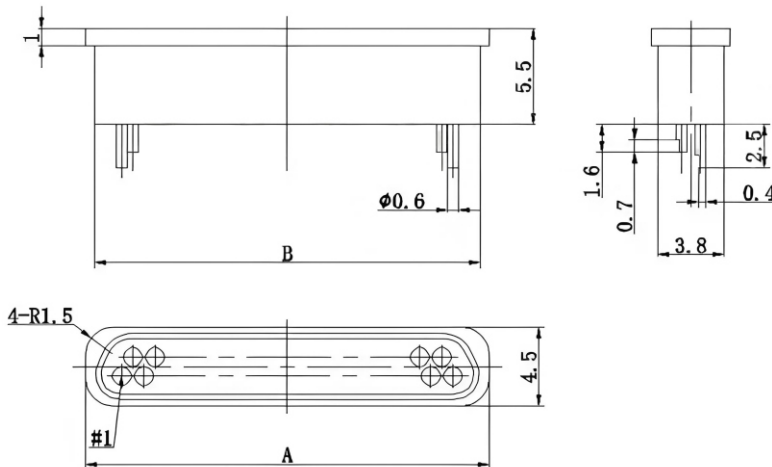
Product Stereogram



Product Model

Socket J30JMI-nZKH2-Q1

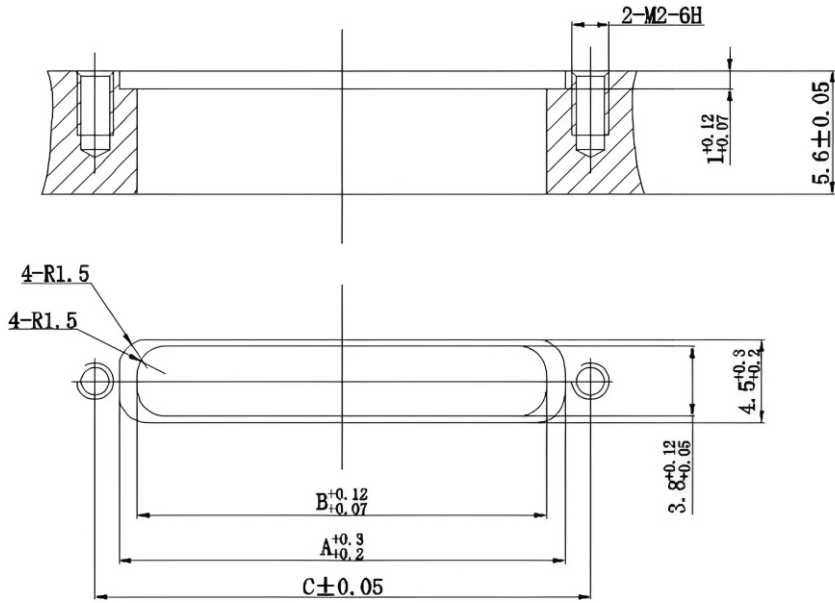
Product Outline Dimension Drawing



| Product Model | A | B |
|------------------|------|------|
| J30JMI-5ZKH2-Q1 | 6.6 | 5.6 |
| J30JMI-9ZKH2-Q1 | 9.2 | 8.2 |
| J30JMI-11ZKH2-Q1 | 10.4 | 9.4 |
| J30JMI-13ZKH2-Q1 | 11.7 | 10.7 |
| J30JMI-15ZKH2-Q1 | 13 | 12 |
| J30JMI-21ZKH2-Q1 | 16.8 | 15.8 |
| J30JMI-25ZKH2-Q1 | 19.3 | 18.3 |
| J30JMI-31ZKH2-Q1 | 23.2 | 22.2 |
| J30JMI-37ZKH2-Q1 | 27 | 26 |

J30JM1 Series Glass Sintered Hermetic Electrical Connector

Recommended Mounting Hole Size

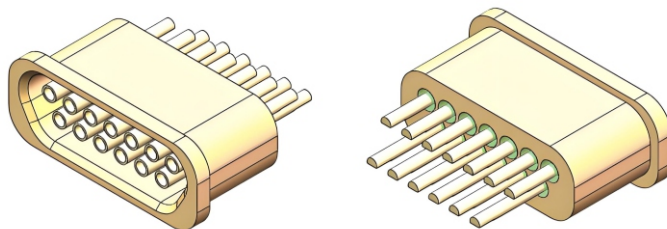


| Product Model | A | B | C |
|------------------|------|------|-------|
| J30JMI-5ZKH2-Q1 | 6.6 | 5.6 | 10.46 |
| J30JMI-9ZKH2-Q1 | 9.2 | 8.2 | 13 |
| J30JMI-11ZKH2-Q1 | 10.4 | 9.4 | 14.27 |
| J30JMI-13ZKH2-Q1 | 11.7 | 10.7 | 15.5 |
| J30JMI-15ZKH2-Q1 | 13 | 12 | 16.8 |
| J30JMI-21ZKH2-Q1 | 16.8 | 15.8 | 20.6 |
| J30JMI-25ZKH2-Q1 | 19.3 | 18.3 | 23.1 |
| J30JMI-31ZKH2-Q1 | 23.2 | 22.2 | 26.9 |
| J30JMI-37ZKH2-Q1 | 27 | 26 | 30.7 |

J30JM1 Series Glass Sintered Hermetic Electrical Connector

Series J30JB Micro-Rectangular Electrical Connector

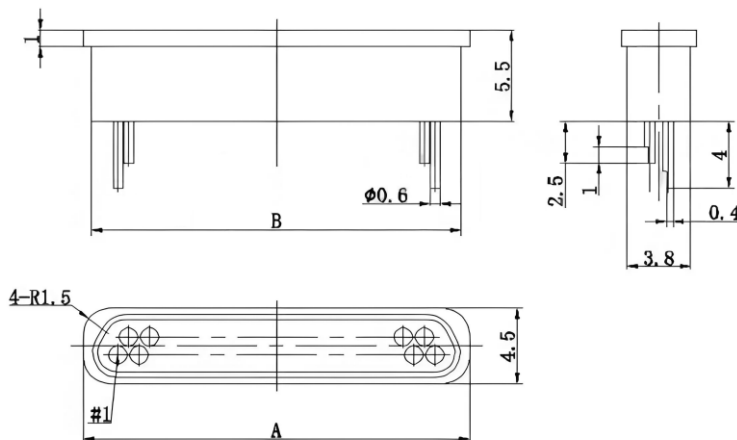
Product Stereogram



Product Model

Socket J30JMI-nZKH2-Q2

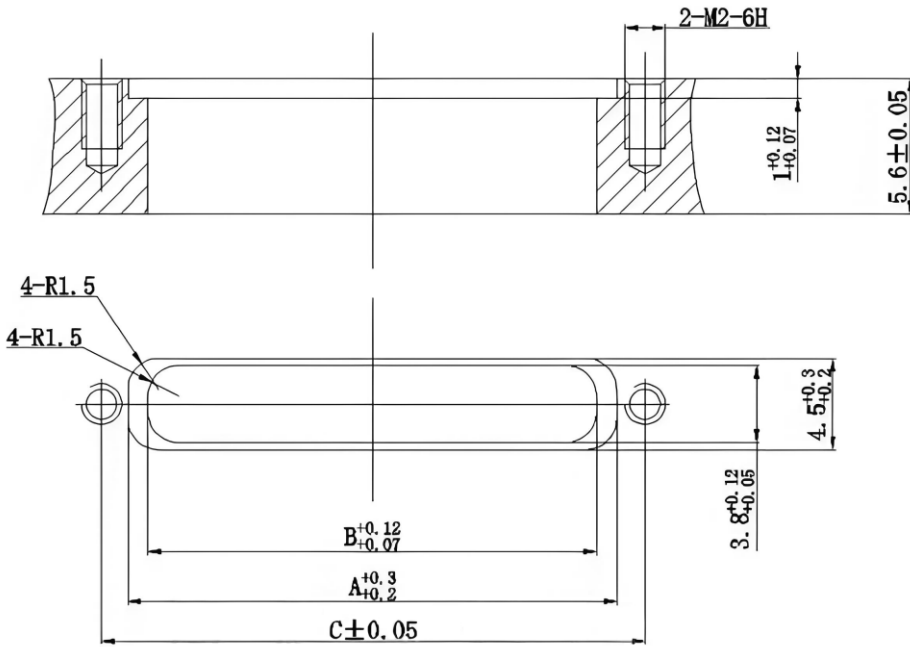
Product Outline Dimension Drawing



| Product Model | A | B |
|------------------|------|------|
| J30JMI-5ZKH2-Q2 | 6.6 | 5.6 |
| J30JMI-9ZKH2-Q2 | 9.2 | 8.2 |
| J30JMI-11ZKH2-Q2 | 10.4 | 9.4 |
| J30JMI-13ZKH2-Q2 | 11.7 | 10.7 |
| J30JMI-15ZKH2-Q2 | 13 | 12 |
| J30JMI-21ZKH2-Q2 | 16.8 | 15.8 |
| J30JMI-25ZKH2-Q2 | 19.3 | 18.3 |
| J30JMI-31ZKH2-Q2 | 23.2 | 22.2 |
| J30JMI-37ZKH2-Q2 | 27 | 26 |

J30JM1 Series Glass Sintered Hermetic Electrical Connector

Recommended Mounting Hole Size

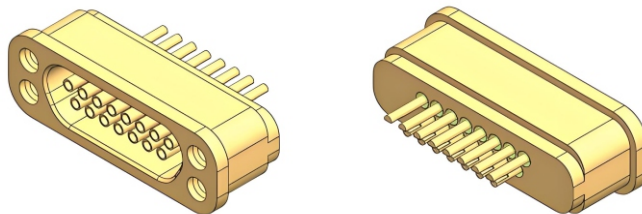


| Product Model | A | B | C |
|------------------|------|------|-------|
| J30JMI-5ZKH2-Q2 | 6.6 | 5.6 | 10.46 |
| J30JMI-9ZKH2-Q2 | 9.2 | 8.2 | 13 |
| J30JMI-11ZKH2-Q2 | 10.4 | 9.4 | 14.27 |
| J30JMI-13ZKH2-Q2 | 11.7 | 10.7 | 15.5 |
| J30JMI-15ZKH2-Q2 | 13 | 12 | 16.8 |
| J30JMI-21ZKH2-Q2 | 16.8 | 15.8 | 20.6 |
| J30JMI-25ZKH2-Q2 | 19.3 | 18.3 | 23.1 |
| J30JMI-31ZKH2-Q2 | 23.2 | 22.2 | 26.9 |
| J30JMI-37ZKH2-Q2 | 27 | 26 | 30.7 |

J30JM1 Series Glass Sintered Hermetic Electrical Connector

Series J30JB Micro-Rectangular Electrical Connector

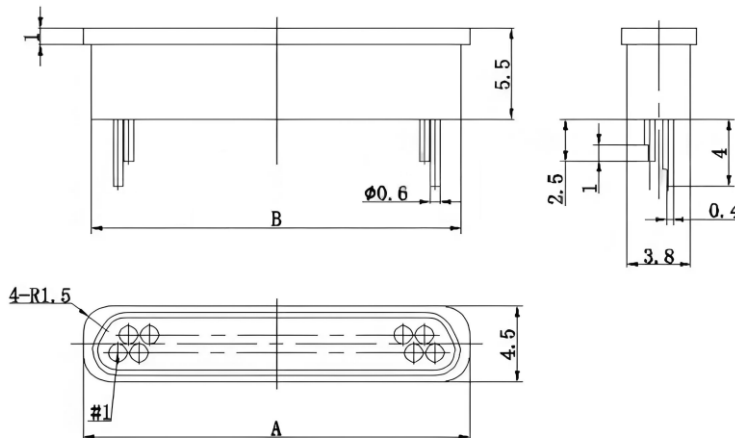
Product Stereogram



Product Model

Socket J30JMI-nZKH3-Q6

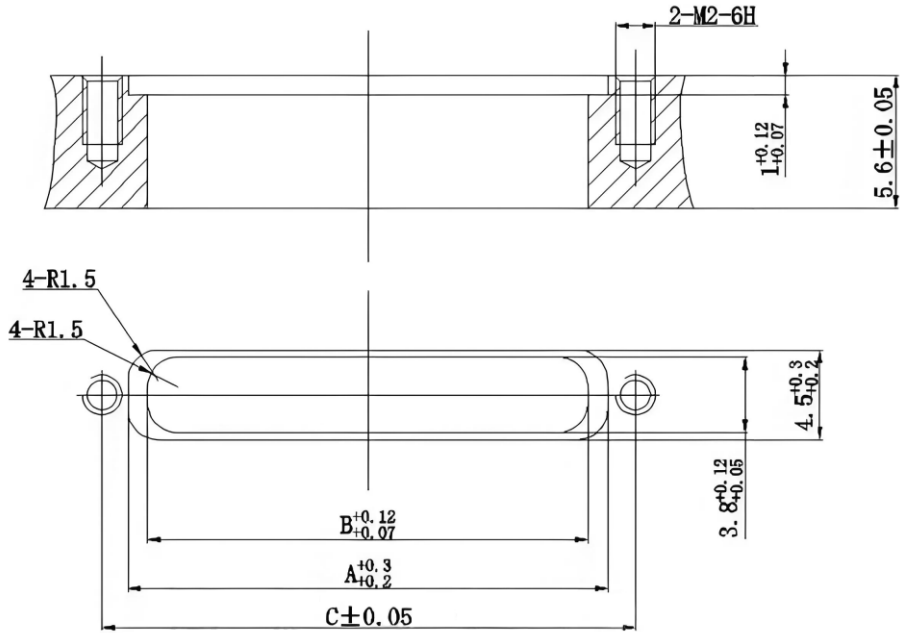
Product Outline Dimension Drawing



| Product Model | A | B | C |
|-------------------|-------|-------|-------|
| J30JMI-9ZKHV9-Q6 | 14.7 | 11.1 | 13.7 |
| J30JMI-15ZKHV9-Q6 | 18.45 | 14.85 | 17.45 |
| J30JMI-21ZKHV9-Q6 | 22.3 | 18.7 | 21.3 |
| J30JMI-25ZKHV9-Q6 | 24.8 | 21.2 | 23.8 |
| J30JMI-31ZKHV9-Q6 | 28.6 | 25 | 27.6 |
| J30JMI-37ZKHV9-Q6 | 32.4 | 28.8 | 31.4 |

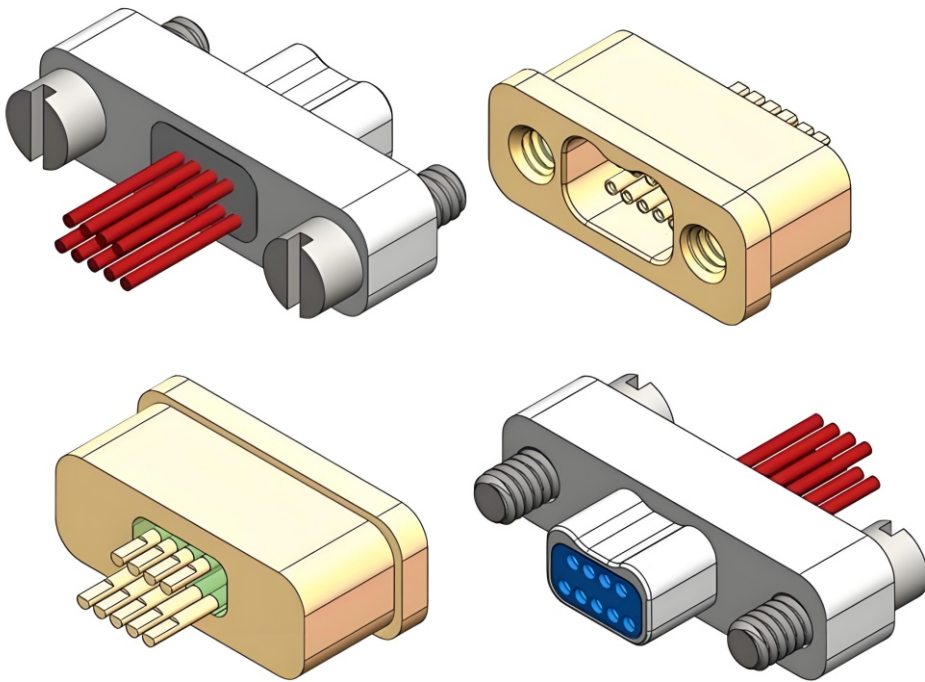
J30JM1 Series Glass Sintered Hermetic Electrical Connector

Recommended Mounting Hole Size



| Product Model | A | B |
|------------------|-------|-------|
| J30JMI-9ZKH3-Q6 | 14.7 | 13.7 |
| J30JMI-15ZKH3-Q6 | 18.45 | 17.45 |
| J30JMI-21ZKH3-Q6 | 22.3 | 21.3 |
| J30JMI-25ZKH3-Q6 | 24.8 | 23.8 |
| J30JMI-31ZKH3-Q6 | 28.6 | 27.6 |
| J30JMI-37ZKH3-Q6 | 32.4 | 31.4 |

J63A Series Glass Sintered Hermetic Electrical Connector



The pictures are for reference only

J63A Series Glass Sintered Hermetic Electrical Connector

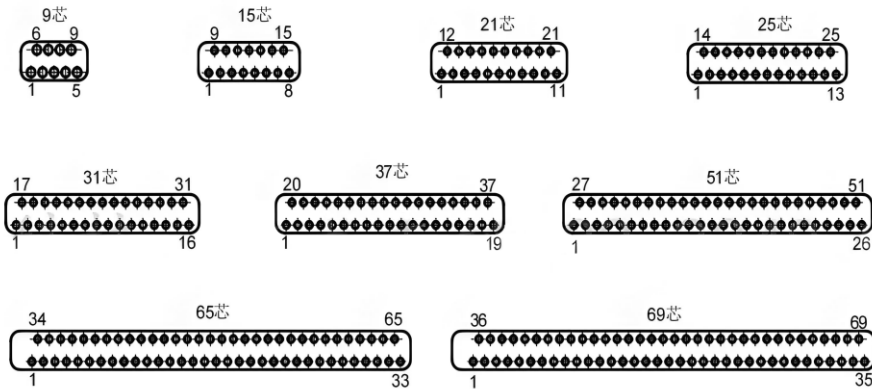
Product Features

- The product socket is a hermetic socket, with glass as the dielectric material, a contact spacing of 0.635mm, and the entire socket is gold-plated.
- There are nine specifications: 9, 15, 21, 25, 31, 37, 51, 65, and 69 cores.
- The product socket has excellent airtightness, with an air leakage rate index of $1.0 \times 10^{-3} \text{Pa} \cdot \text{cm}^3/\text{s}$.
- The product is small in size and has good vibration and impact resistance.
- The tail end of the connector contact is bonded with gold wire.
- Execution standard: Q/HJ-002-2024 Detailed Specification for J63A Series Micro-Rectangular Electrical Connectors.

Technical Characteristics

- Ambient Temperature: $-55^{\circ}\text{C} \sim 125^{\circ}\text{C}$
- Vibration: $10 \sim 2000\text{Hz}$, 196m/s^2
- Shock: 980m/s^2
- Contact Resistance: $\leq 21\text{m}\Omega$
- Insulation Resistance: $\geq 5000\text{M}\Omega$ at 100V DC
- Dielectric Withstand Voltage: 250V
- Mechanical Life: 500 Cycles
- Rated Current: 1A
- Random Vibration: Power Density $0.4\text{G}^2/\text{Hz}$, Total Acceleration RMS Value 23.1G

Type Spectrum Arrangement



Note: Viewed from the mating end of the plug

J63A Series Glass Sintered Hermetic Electrical Connector

Order Marking

J63A - 2 X X - XXX - XX XX
 ① ② ③ ④ ⑤ ⑥ ⑦

- ① Main Designation: J63A
- ② Number of Contact Rows: 2 — 2 rows
- ③ Contact Type:
 - M — Glass Sintered Hermetic Socket
 - N — Plug Matching Q2 Type Glass Sintered Socket
- ④ Shell Plating: 1 — Overall Gold Plating; 2 — Nickel Plating
- ⑤ Number of Contacts: 009, 015, 021, 025, 031, 037, 051, 065, 069
- ⑥ Shell Type:
 - Q1 — Shell with M1.6 Thread, Lockable with J63A Plug with Locking Screw;
 - Q2 — Shell without Mounting Hole;
 - Q3 — Shell with Guide Post, Mating with J63A Plug with Guide Post;
 - Q4 — Plug, See Product Outline Drawing for Details
- ⑦ Pin Type (For Socket Only): Unmarked — Pin Diameter $\varnothing 0.46\text{mm}$, Short Row and Long Row Protrusion Lengths are 1.5mm and 2.5mm respectively

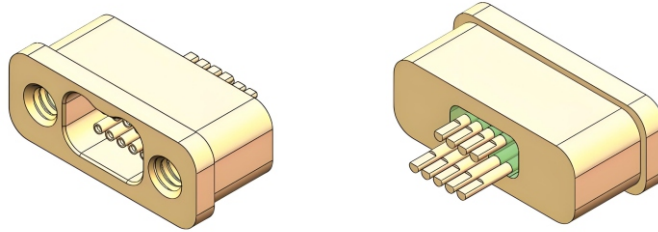
Marking Examples:

J63A-2MI-015-Q1 indicates a socket with 2 rows of contacts, 15 contacts, glass sintered hermetic seal, overall gold plating, and a shell with M1.6 threaded holes.

The pictures are for reference only

J63A Series Glass Sintered Hermetic Electrical Connector

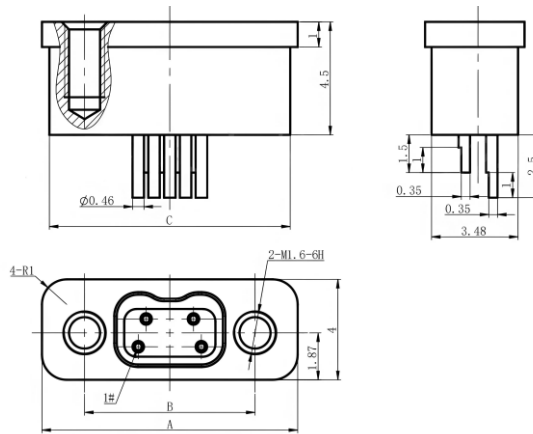
Product Stereogram



Product Model

Socket: J63A-2MI-XXX-Q1 (XXX = 009, 015, 021, 025, 031, 037, 051, 065, 069)

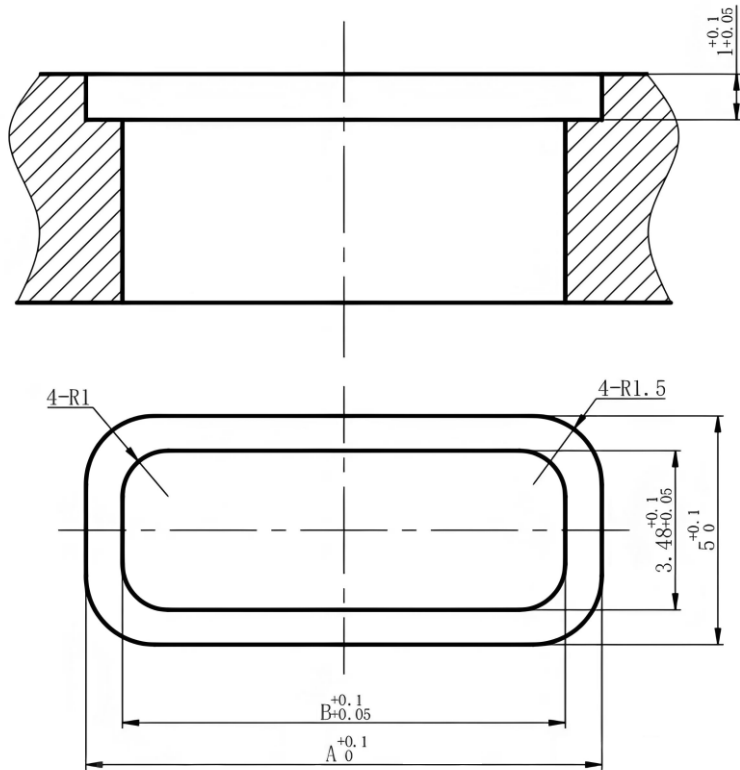
Product Outline Dimension Drawing



| Product Model | A | B | C |
|-----------------|-------|-------|-------|
| J63A-2M1-009-Q1 | 10.29 | 6.86 | 9.69 |
| J63A-2M1-015-Q1 | 12.2 | 8.77 | 11.6 |
| J63A-2M1-021-Q1 | 14.1 | 10.67 | 13.5 |
| J63A-2M1-025-Q1 | 15.37 | 11.94 | 14.77 |
| J63A-2M1-031-Q1 | 17.28 | 13.85 | 16.68 |
| J63A-2M1-037-Q1 | 19.18 | 15.75 | 18.58 |
| J63A-2M1-051-Q1 | 23.63 | 20.2 | 23.03 |
| J63A-2M1-065-Q1 | 28.07 | 24.64 | 27.47 |
| J63A-2M1-069-Q1 | 29.34 | 25.91 | 28.74 |

J63A Series Glass Sintered Hermetic Electrical Connector

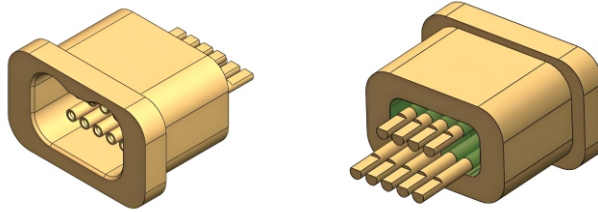
Recommended Mounting Hole Size



| Product Model | A | B |
|-----------------|-------|-------|
| J63A-2MI-009-Q1 | 11.29 | 9.69 |
| J63A-2MI-015-Q1 | 13.2 | 11.6 |
| J63A-2MI-021-Q1 | 15.1 | 13.5 |
| J63A-2MI-025-Q1 | 16.37 | 14.77 |
| J63A-2MI-031-Q1 | 18.28 | 16.68 |
| J63A-2MI-037-Q1 | 20.18 | 18.58 |
| J63A-2MI-051-Q1 | 24.63 | 23.03 |
| J63A-2MI-065-Q1 | 29.07 | 27.47 |
| J63A-2MI-069-Q1 | 30.34 | 28.74 |

J63A Series Glass Sintered Hermetic Electrical Connector

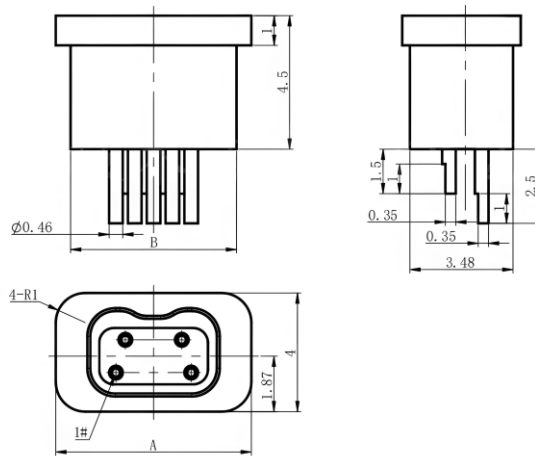
Product Stereogram



Product Model

Socket: J63A-2MI-XXX-Q2 (XXX = 009, 015, 021, 025, 031, 037, 051, 065, 069)

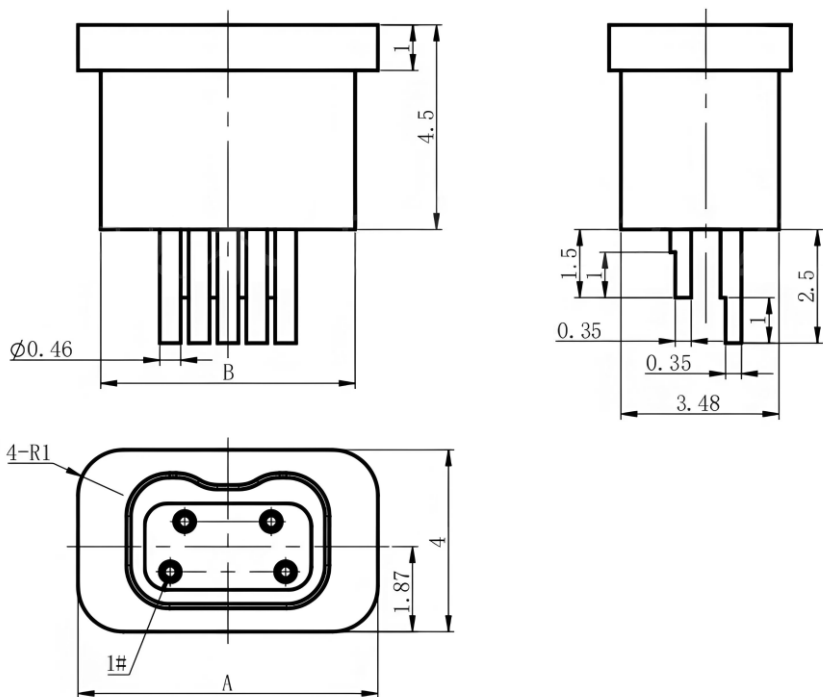
Product Outline Dimension Drawing



| Product Model | A | B |
|-----------------|-------|-------|
| J63A-2M1-009-Q2 | 6.6 | 5.6 |
| J63A-2M1-015-Q2 | 8.5 | 7.5 |
| J63A-2M1-021-Q2 | 10.4 | 9.4 |
| J63A-2M1-025-Q2 | 11.67 | 10.67 |
| J63A-2M1-031-Q2 | 13.6 | 12.6 |
| J63A-2M1-037-Q2 | 15.5 | 14.5 |
| J63A-2M1-051-Q2 | 19.93 | 18.93 |
| J63A-2M1-065-Q2 | 24.4 | 23.4 |
| J63A-2M1-069-Q2 | 25.64 | 24.64 |

J63A Series Glass Sintered Hermetic Electrical Connector

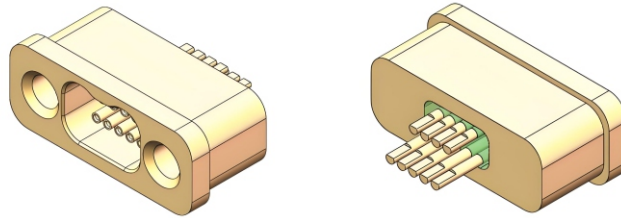
Recommended Mounting Hole Size



| Product Model | A | B | C |
|-----------------|-------|-------|-------|
| J63A-2MI-009-Q2 | 10 | 7.6 | 5.6 |
| J63A-2MI-015-Q2 | 11.9 | 9.5 | 7.5 |
| J63A-2MI-021-Q2 | 13.8 | 11.4 | 9.4 |
| J63A-2MI-025-Q2 | 15.07 | 12.67 | 10.67 |
| J63A-2MI-031-Q2 | 17 | 14.6 | 12.6 |
| J63A-2MI-037-Q2 | 18.9 | 16.5 | 14.5 |
| J63A-2MI-051-Q2 | 23.33 | 20.93 | 18.93 |
| J63A-2MI-065-Q2 | 27.8 | 25.4 | 23.4 |
| J63A-2MI-069-Q2 | 29.04 | 26.64 | 24.64 |

J63A Series Glass Sintered Hermetic Electrical Connector

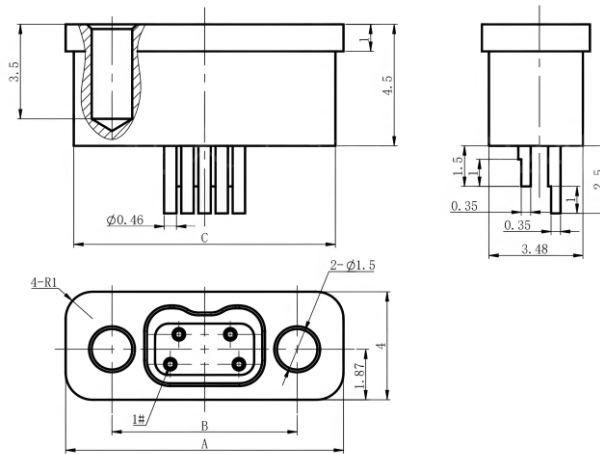
Product Stereogram



Product Model

Socket: J63A-2MI-XXX-Q3(XXX=009、015、021、025、031、037、051、065、069)

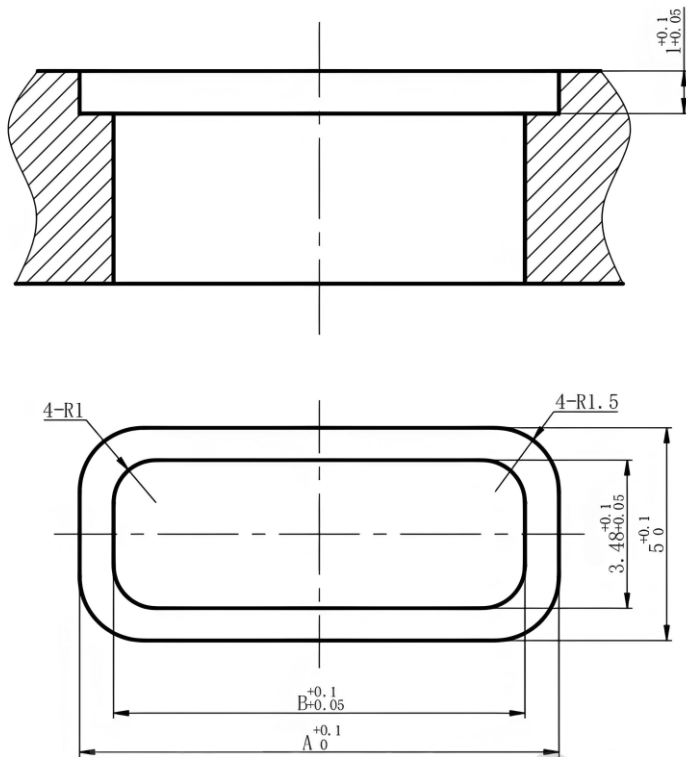
Product Outline Dimension Drawing



| Product Model | A | B | C |
|-----------------|-------|-------|-------|
| J63A-2MI-009-Q3 | 10.29 | 6.86 | 9.69 |
| J63A-2MI-015-Q3 | 12.2 | 8.77 | 11.6 |
| J63A-2MI-021-Q3 | 14.1 | 10.67 | 13.5 |
| J63A-2MI-025-Q3 | 15.37 | 11.94 | 14.77 |
| J63A-2MI-031-Q3 | 17.28 | 13.85 | 16.68 |
| J63A-2MI-037-Q3 | 19.18 | 15.75 | 18.58 |
| J63A-2MI-051-Q3 | 23.63 | 20.2 | 23.03 |
| J63A-2MI-065-Q3 | 28.07 | 24.64 | 27.47 |
| J63A-2MI-069-Q3 | 29.34 | 25.91 | 28.74 |

J63A Series Glass Sintered Hermetic Electrical Connector

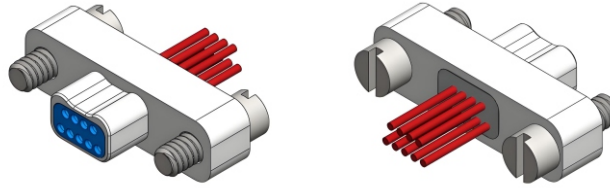
Recommended Mounting Hole Size



| Product Model | A | B |
|-----------------|-------|-------|
| J63A-2MI-009-Q3 | 11.29 | 9.69 |
| J63A-2MI-015-Q3 | 13.2 | 11.6 |
| J63A-2MI-021-Q3 | 15.1 | 13.5 |
| J63A-2MI-025-Q3 | 16.37 | 14.77 |
| J63A-2MI-031-Q3 | 18.28 | 16.68 |
| J63A-2MI-037-Q3 | 20.18 | 18.58 |
| J63A-2MI-051-Q3 | 24.63 | 23.03 |
| J63A-2MI-065-Q3 | 29.07 | 27.47 |
| J63A-2MI-069-Q3 | 30.34 | 28.74 |

J63A Series Glass Sintered Hermetic Electrical Connector

Product Stereogram

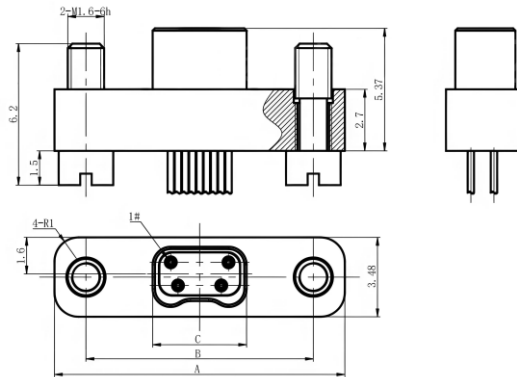


Product Model

Socket: J63A-2N2-XXX-Q4(XXX=009, 015, 021, 025, 031, 037, 051, 065, 069)

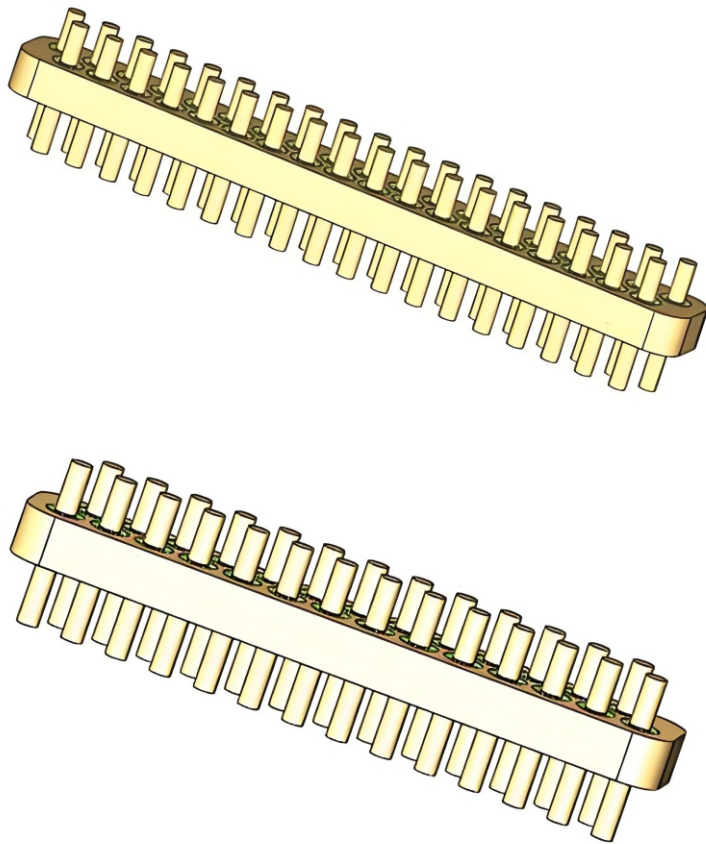
Note: The product is compatible with wires of 0.035mm² specification, and the wire length is defined by the customer. When selecting the product, users need to specify the wire information in the model. For example, J63A-2N2-009-Q4 (0.035 White 300) indicates that the product has a 300mm-long white wire of 0.035mm² specification extending from the tail. When there are special requirements, technical data should be provided.

Product Outline Dimension Drawing



| Product Model | A | B | C |
|-----------------|-------|-------|-------|
| J63A-2N2-009-Q4 | 12.77 | 10 | 4.13 |
| J63A-2N2-015-Q4 | 14.67 | 11.9 | 6.03 |
| J63A-2N2-021-Q4 | 16.57 | 13.8 | 7.94 |
| J63A-2N2-025-Q4 | 17.84 | 15.07 | 9.21 |
| J63A-2N2-031-Q4 | 19.77 | 17 | 11.11 |
| J63A-2N2-037-Q4 | 21.67 | 18.9 | 13.02 |
| J63A-2N2-051-Q4 | 26.1 | 23.33 | 17.46 |
| J63A-2N2-065-Q4 | 30.57 | 27.8 | 21.91 |
| J63A-2N2-069-Q4 | 31.81 | 29.04 | 23.18 |

JXBM10 Series Micro-Rectangular Electrical Connector



The pictures are for reference only

JXBM10 Series Micro-Rectangular Electrical Connector

Product Features

- Specifications: Two types with 27 cores and 37 cores.
- Product Features: It is a transfer wiring board, with the shell installed by welding and the contact end bonded with alloy wires.
- It adopts glass sintering sealing, featuring low leakage rate.
- Implementation Standard:
Q/HJ-030-2024 Detailed Specification for JXBM10 Series Micro-Rectangular Electrical Connectors

Technical Characteristics

- Ambient Temperature: -55°C ~ +125°C;
- Vibration: 10Hz~2000Hz, 196m/s²;
- Shock: 980m/s², 6ms;
- Rated Current: 3A;
- Leakage Rate: $\leq 1.0 \times 10^{-3} \text{Pa} \cdot \text{cm}^3/\text{s}$;
- Insulation Resistance: $\geq 1000 \text{M}\Omega$;
- Dielectric Withstand Voltage: 500V (50Hz effective value);

Order Marking

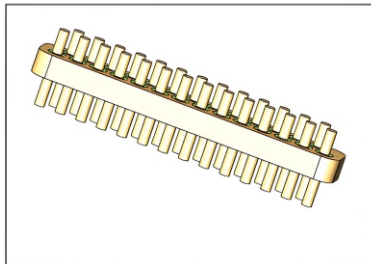
JXB M 10-G2 - 27 ShSj
 ① ② ③ ④ ⑤

- ① Main Designation: JXB
- ② Sealing Type: M - Glass Sintering Sealing
- ③ Design Serial Number: 10 - G2
- ④ Number of Contacts: 27, 37
- ⑤ Tail Contact Form: ShSj

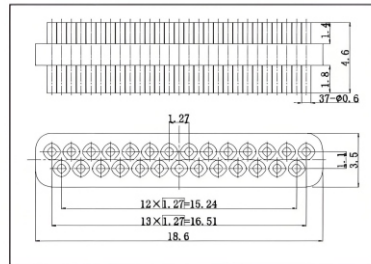
Model Example

JXBM10-G2-27ShSj: The above model indicates a plug with the main designation JXB, glass sintering sealing type, design serial number 10-G2, 27 contacts, and tail contact form ShSj.

Three-dimensional Diagram
of JXBM10-G2-27ShSj Product

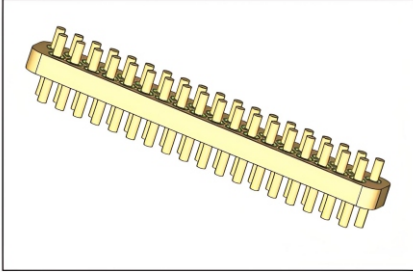


Outline Diagram of
JXBM10-G2-27ShSj Product

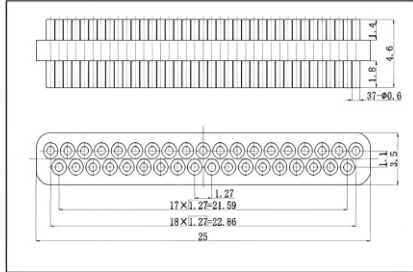


JXBM10 Series Micro-Rectangular Electrical Connector

Three-dimensional Diagram of
JXBM10-G2-37ShSj Product



Outline Diagram of JXBM10-G2-37ShSj Product





SHENZHEN AVIACONN PRECISION TECHNOLOGY CO. LTD

Web: www.aviaconn.com

Technical email: technical@aviaconn.com

Sales email: sales@aviaconn.com